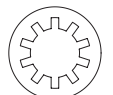
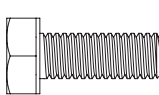


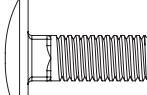
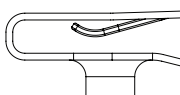
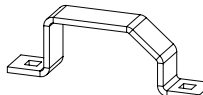
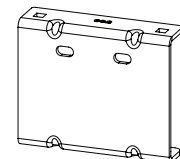
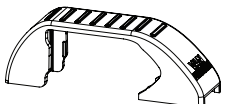
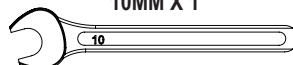


IN8049



ULTI Bars - X3

<p>FX4010 X12 (M6)</p> 	<p>FX4012 X12 (M6X16)</p> 	<p>FX4016 X12 (M6)</p> 	<p>FX4017 X12 (M6)</p> 	<p>FX4042 X12 (M6X16)</p> 	<p>FX4126 X12</p> 	<p>ME0203 X6</p> 	<p>ME0692 X6</p> 
<p>MA6065 X6</p> 							

TOOLS REQUIRED



10MM X 1





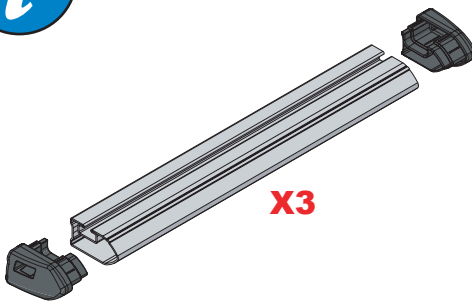
EN - SAFETY AND PRODUCT INFORMATION
 DE - SICHERHEITS- UND PRODUKTINFORMATIONEN
 FR - INFORMATIONS DE SÉCURITÉ ET DU PRODUIT
 NL - VEILIGHEIDS- EN PRODUCTINFORMATIE
 ES - INFORMACIÓN DE SEGURIDAD Y DEL PRODUCTO
 IT - INFORMAZIONI SULLA SICUREZZA E SUL PRODOTTO

SV - SÄKERHETS- OCH PRODUKTINFORMATION
 DA - SIKKERHEDS- OG PRODUKTINFORMATION
 NO - SIKKERHETS- OG PRODUKTINFORMASJON
 PL - INFORMACJE O BEZPIECZENSTWIE I PRODUKCIE
 CS - INFORMACE O BEZPEČNOSTI A PRODUKTU



Customercare@van-guard.co.uk
UK +44 (0) 1392 368 351



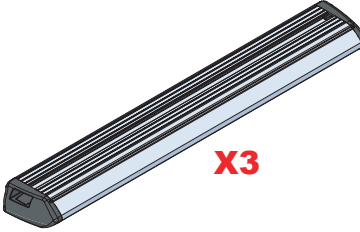


MA6166

MA6167

X3

ULTI Bar Trade
(Steel)



X3

ULTI Bar+
(Aluminium)

211-3

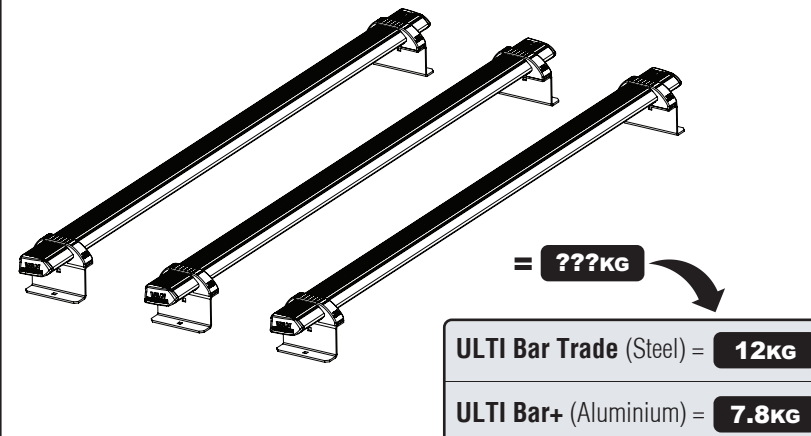
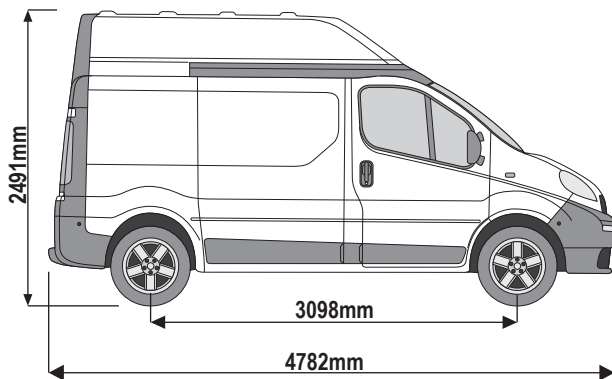
Vehicle:

Vauxhall Vivaro: 2001 - 2014
 Renault Trafic: 2001 - 2014
 Nissan Primastar: 2001 - 2014

Wheel Base: SWB (L1)

Roof Height: High (H2)

Rear Doors: Twin



211-3

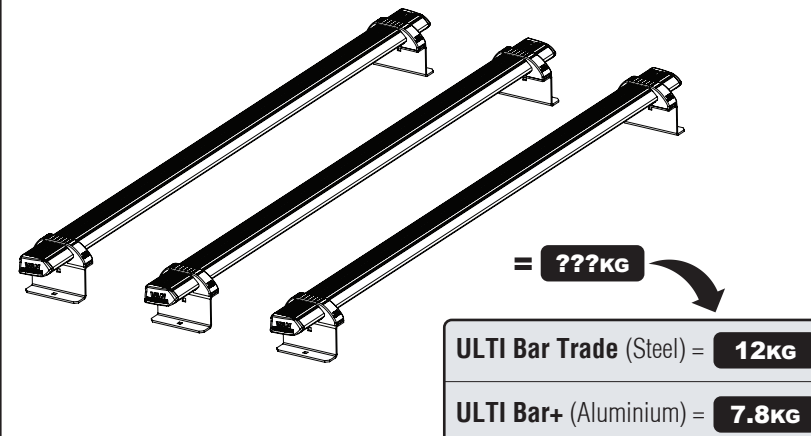
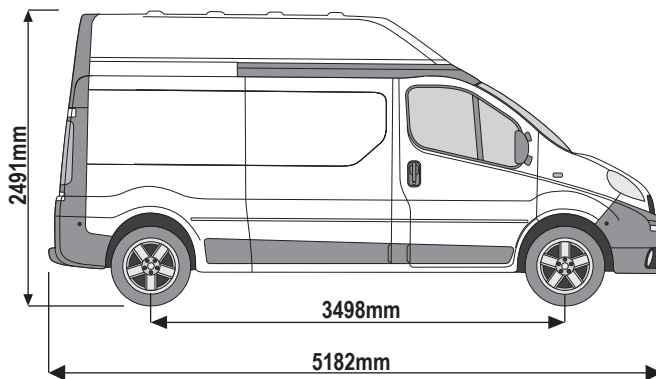
Vehicle:

Vauxhall Vivaro: 2001 - 2014
 Renault Trafic: 2001 - 2014
 Nissan Primastar: 2001 - 2014

Wheel Base: LWB (L2)

Roof Height: High (H2)

Rear Doors: Twin



211-3

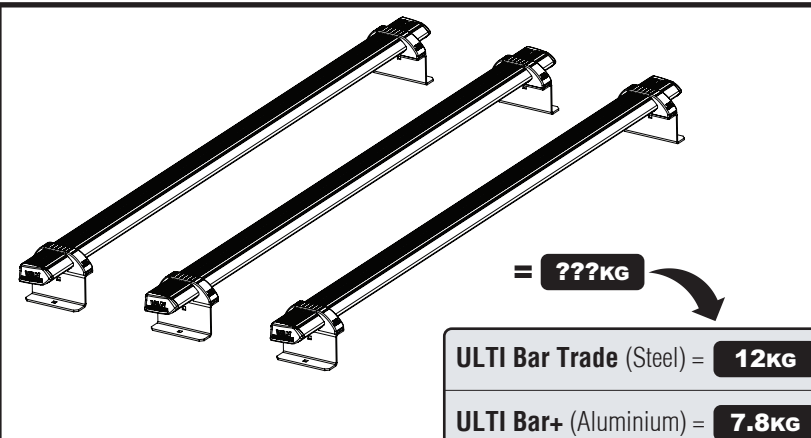
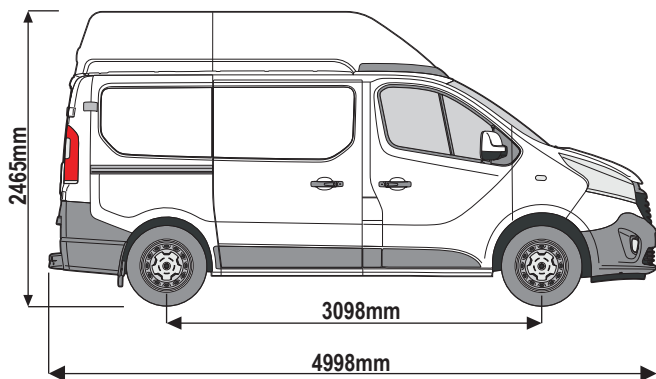
Vehicle:

Fiat Talento: 2016-2020
 Nissan NV300: 2016-2021
 Nissan Primastar: 2022 on
 Renault Trafic: 2014 on
 Vauxhall Vivaro: 2014-2019

Wheel Base: SWB (L1)

Roof Height: High (H2)

Rear Doors: Twin



211-3

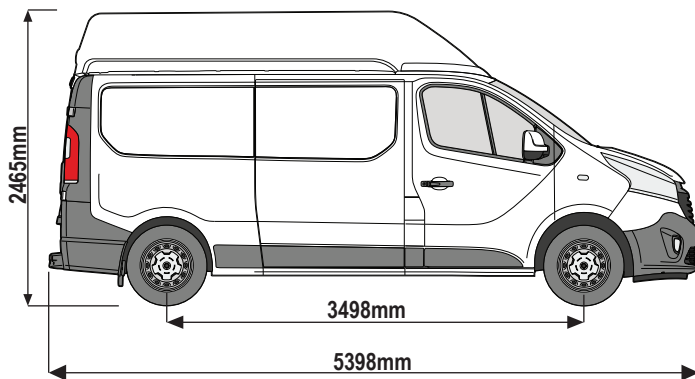
Vehicle:

Fiat Talento: 2016-2020
 Nissan NV300: 2016-2021
 Nissan Primastar: 2022 on
 Renault Trafic: 2014 on
 Vauxhall Vivaro: 2014-2019

Wheel Base: LWB (L2)

Roof Height: High (H2)

Rear Doors: Twin



= **??KG**

ULTI Bar Trade (Steel)	=	12KG
ULTI Bar+ (Aluminium)	=	7.8KG

255-3

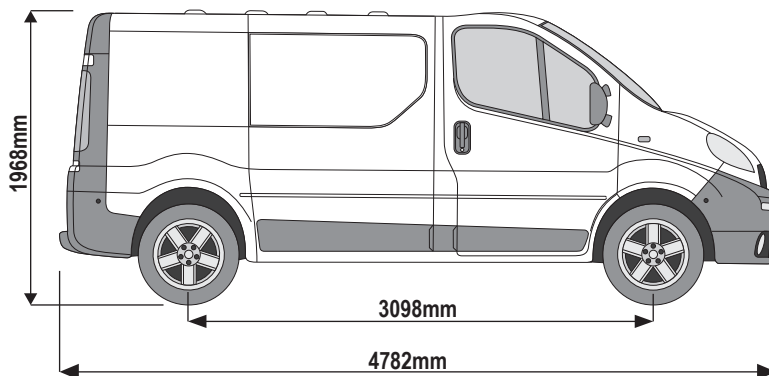
Vehicle:

Vauxhall Vivaro: 2001 - 2014
 Renault Trafic: 2001 - 2014
 Nissan Primastar: 2001 - 2014

Wheel Base: SWB (L1)

Roof Height: Low (H1)

Rear Doors: Twin / Tailgate



= **??KG**

ULTI Bar Trade (Steel)	=	13KG
ULTI Bar+ (Aluminium)	=	8.4KG

255-3

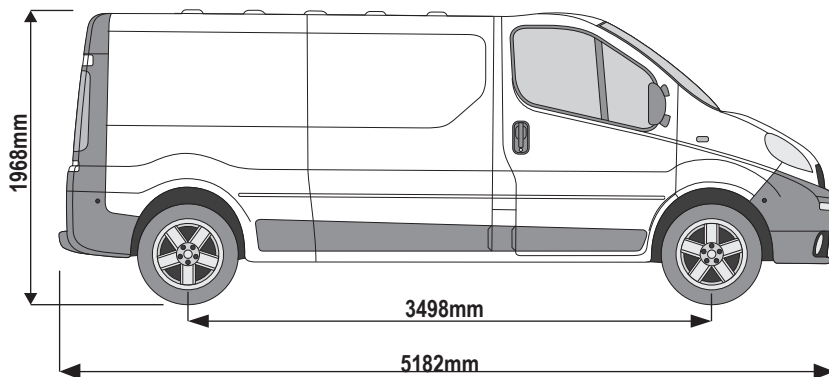
Vehicle:

Vauxhall Vivaro: 2001 - 2014
 Renault Trafic: 2001 - 2014
 Nissan Primastar: 2001 - 2014

Wheel Base: LWB (L2)

Roof Height: Low (H1)

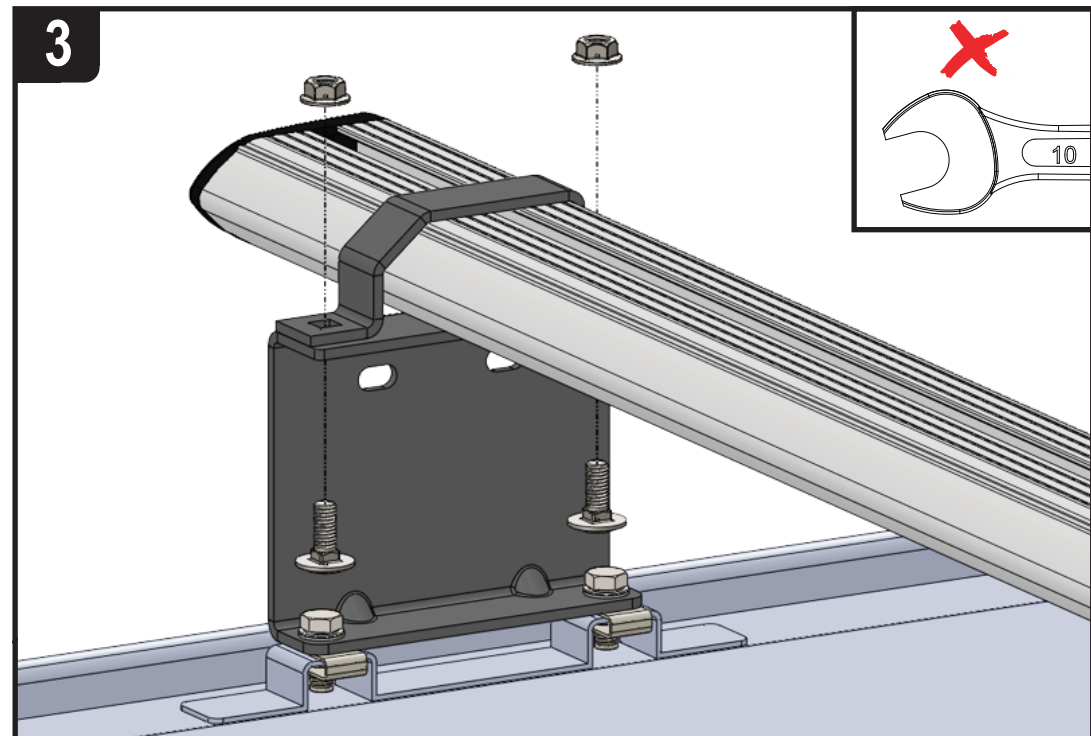
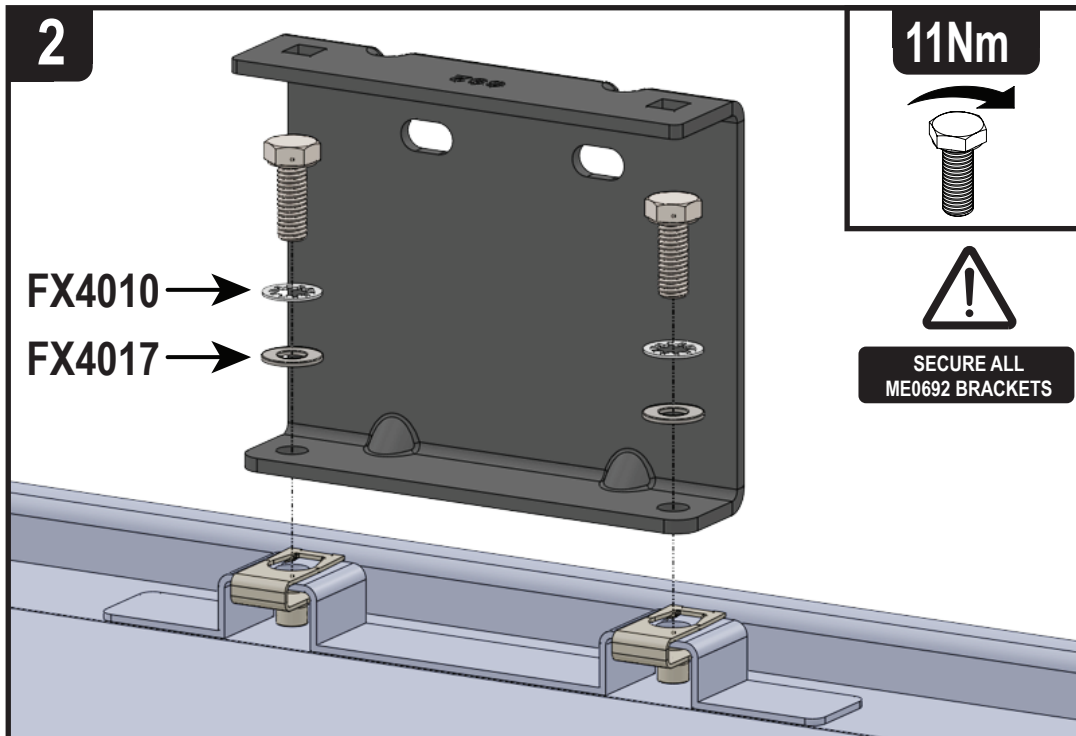
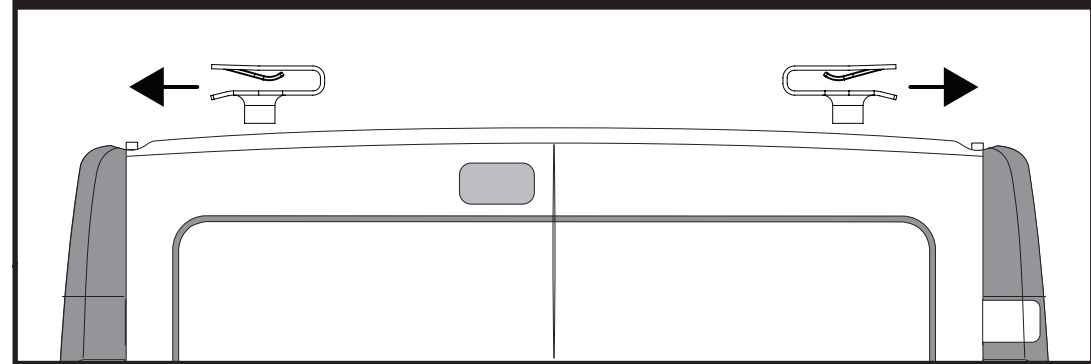
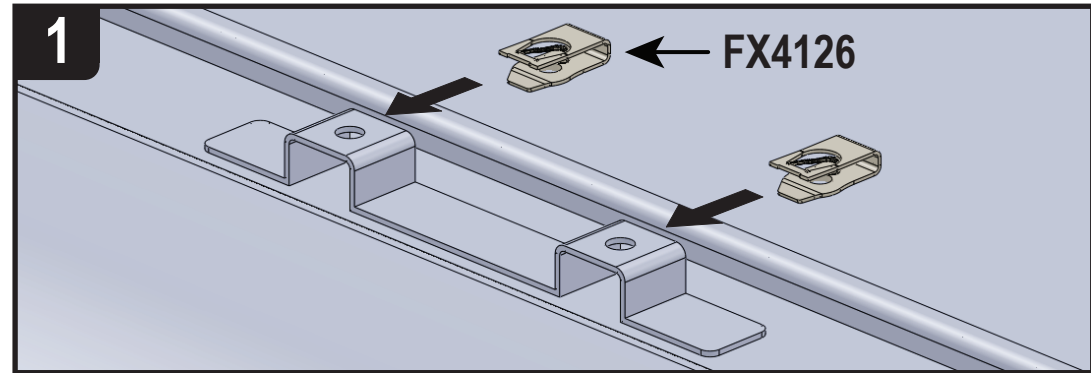
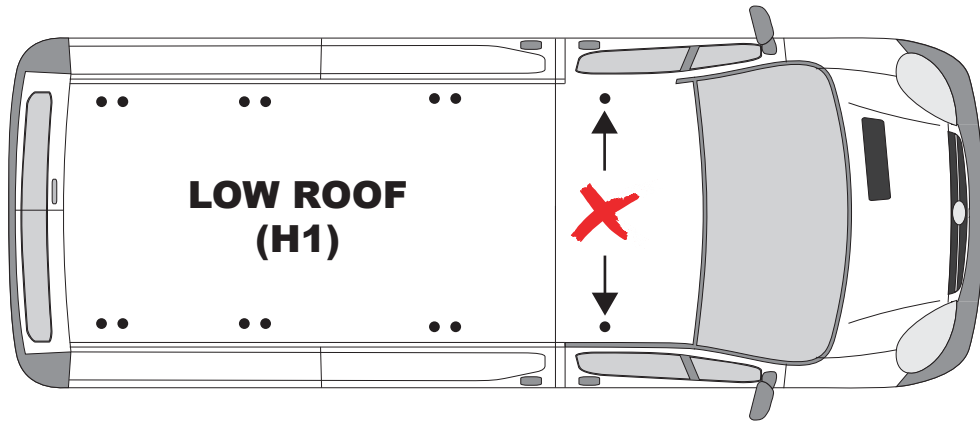
Rear Doors: Twin / Tailgate



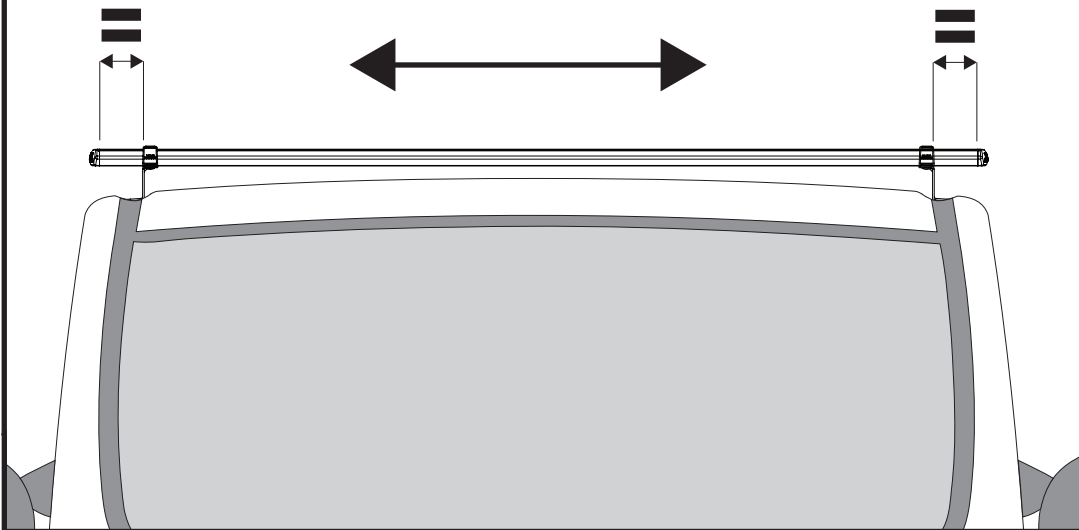
= **??KG**

ULTI Bar Trade (Steel)	=	13KG
ULTI Bar+ (Aluminium)	=	8.4KG

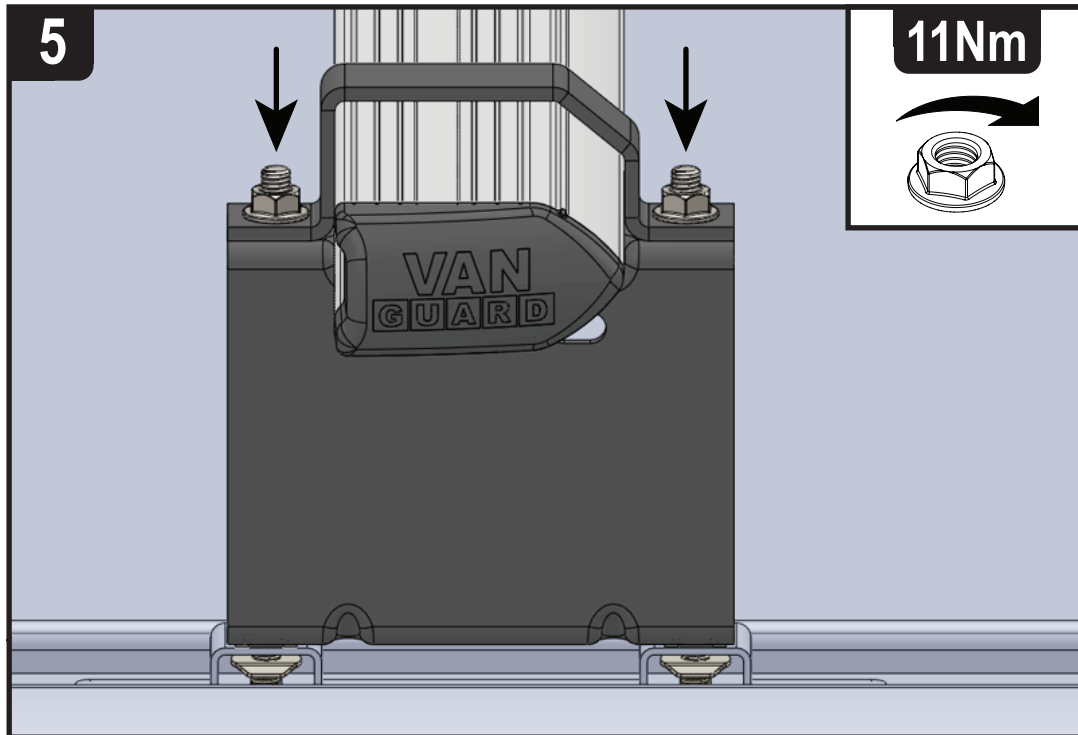
? Please note that the front fixing point is not used when fitting this product to a low roof (H1) model. If fitting this product to a high roof (H2) model any fixing point can be used.



4

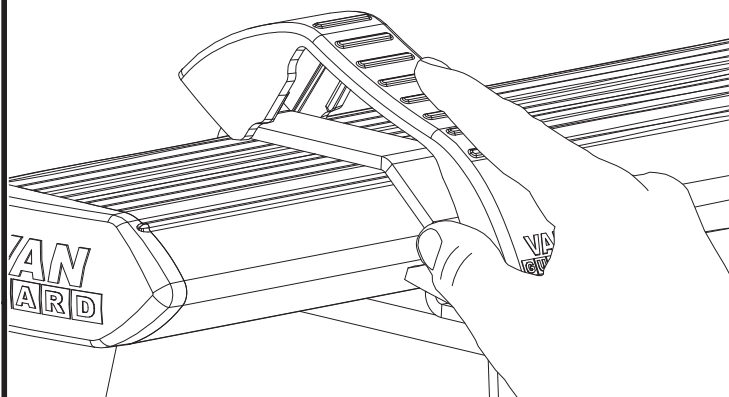


5

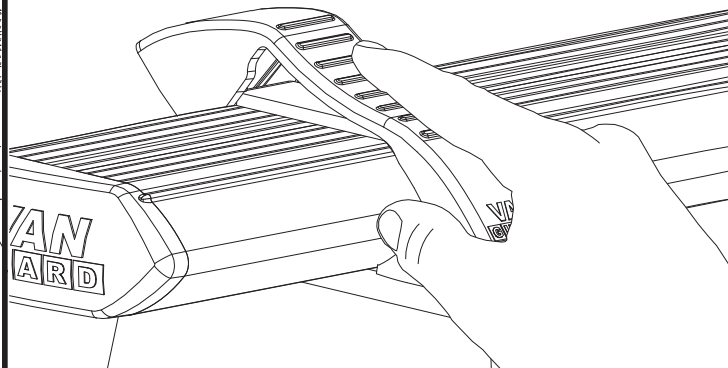


6

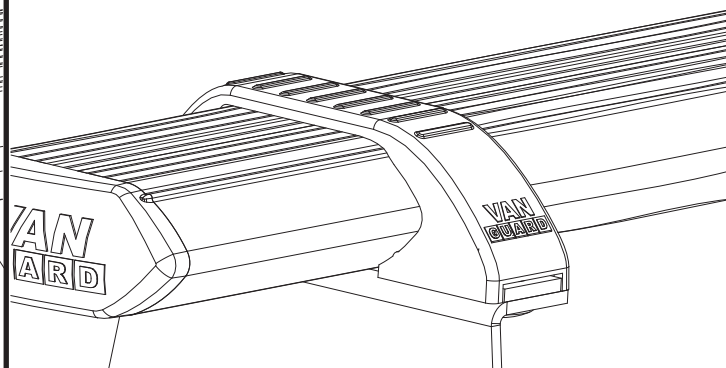
1.

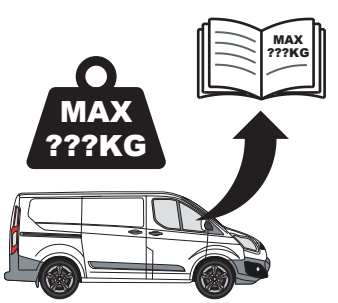


2.



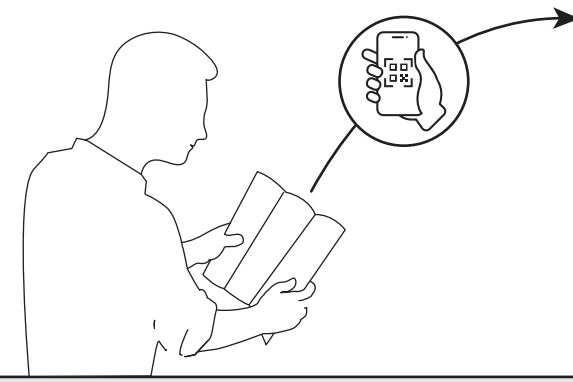
3.





**MAX
???KG**

ULTI Bar Trade <small>(Steel)</small>	ULTI Bar+ <small>(Aluminium)</small>
 X1	 X1



<p>EN - SAFETY AND PRODUCT INFORMATION DE - SICHERHEITS- UND PRODUKTINFORMATIONEN FR - INFORMATIONS DE SÉCURITÉ ET DU PRODUIT NL - VEILIGHEIDS- EN PRODUCTINFORMATIE ES - INFORMACIÓN DE SEGURIDAD Y DEL PRODUCTO IT - INFORMAZIONI SULLA SICUREZZA E SUL PRODOTTO</p>	<p>SV - SÄKERHETS- OCH PRODUKTINFORMATION DA - SIKKERHEDS- OG PRODUKTINFORMATION NO - SIKKERHETS- OG PRODUKTINFORMASJON PL - INFORMACJE O BEZPIECZENSTWIE I PRODUKCIE CS - INFORMACE O BEZPEČNOSTI A PRODUKTU</p>
---	--