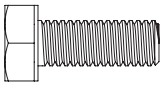
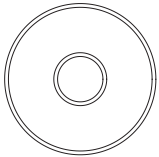
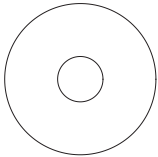
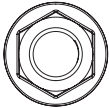
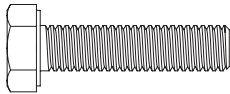
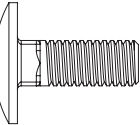


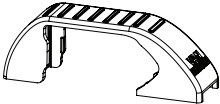
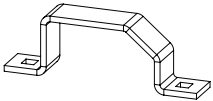
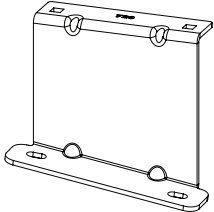
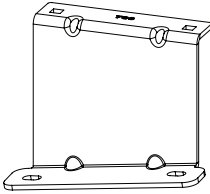
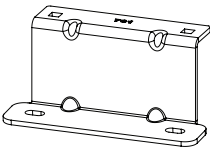
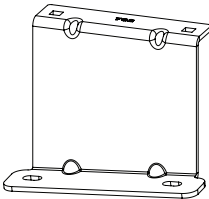
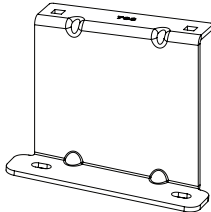
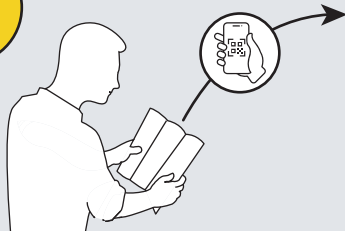
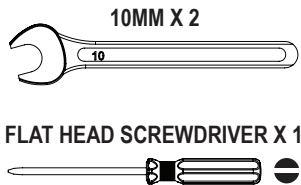


# IN8086

## ULTI Bars - X3

<p><b>FX4012 X12</b> (M6X16)</p> 	<p><b>FX4013 X24</b> (M6)</p> 	<p><b>FX4014 X24</b> (RUBBER)</p> 	<p><b>FX4016 X24</b> (M6)</p> 	<p><b>FX4021 X12</b> (M6X25)</p> 	<p><b>FX4042 X12</b> (M6X16)</p> 	<p><b>MA6019 X2</b></p> 	<p><b>MA6020 X6</b></p> 
<p><b>MA6065 X6</b></p> 	<p><b>ME0203 X6</b></p> 	<p><b>ME0729 X1</b></p> 	<p><b>ME0730 X1</b></p> 	<p><b>ME0731 X2</b></p> 	<p><b>ME0732 X1</b></p> 	<p><b>ME0733 X1</b></p> 	

### TOOLS REQUIRED

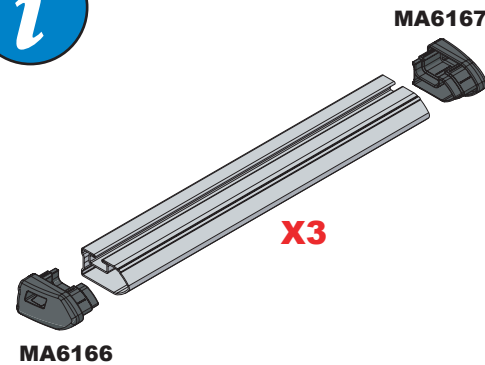


EN - SAFETY AND PRODUCT INFORMATION  
 DE - SICHERHEITS- UND PRODUKTINFORMATIONEN  
 FR - INFORMATIONS DE SÉCURITÉ ET DU PRODUIT  
 NL - VEILIGHEIDS- EN PRODUCTINFORMATIE  
 ES - INFORMACIÓN DE SEGURIDAD Y DEL PRODUCTO  
 IT - INFORMAZIONI SULLA SICUREZZA E SUL PRODOTTO

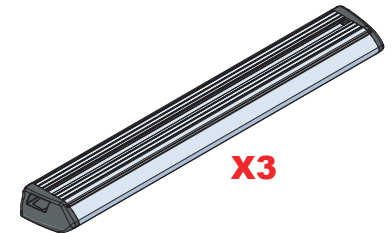
SV - SÄKERHETS- OCH PRODUKTINFORMATION  
 DA - SIKKERHEDS- OG PRODUKTINFORMATION  
 NO - SIKKERHETS- OG PRODUKTINFORMASJON  
 PL - INFORMACJE O BEZPIECZENSTWIE I PRODUKCIE  
 CS - INFORMACE O BEZPEČNOSTI A PRODUKTU



**Customercare@van-guard.co.uk**  
**UK +44 (0) 1392 368 351**



**ULTI Bar Trade**  
(Steel)



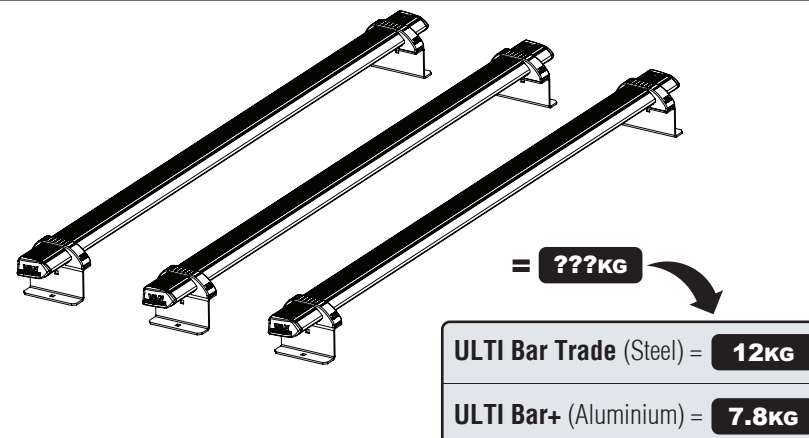
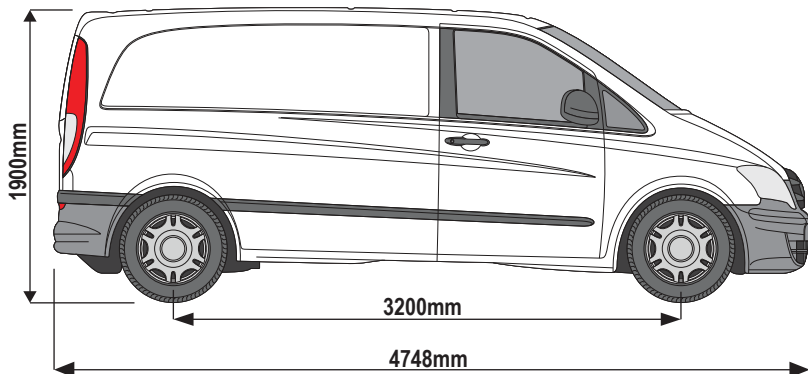
**ULTI Bar+**  
(Aluminium)

This FITTING INSTRUCTION is the property of VAN GUARD ACCESSORIES LTD. and must not be used for manufacturing purposes, copied nor communicated in any way to third parties without written permission from VAN GUARD ACCESSORIES LTD.  
 IN8086\_G (CN:00183)

Van Guard Accessories Ltd  
 Fair Oak Close, Exeter Airport Business Park,  
 Exeter, Devon, EX5 2UL  
 www.van-guard.co.uk

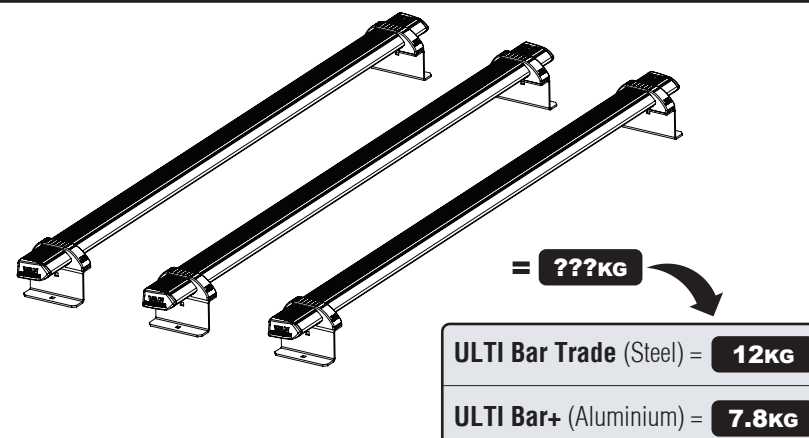
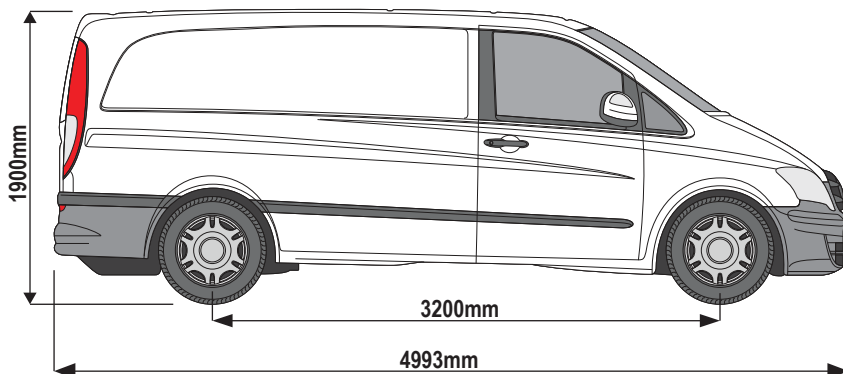
## 264-3

**Vehicle:**  
Mercedes Vito: 2004 on  
**Wheel Base:** Compact (L1)  
**Roof Height:** Low (H1)  
**Rear Doors:** Twin / Tailgate



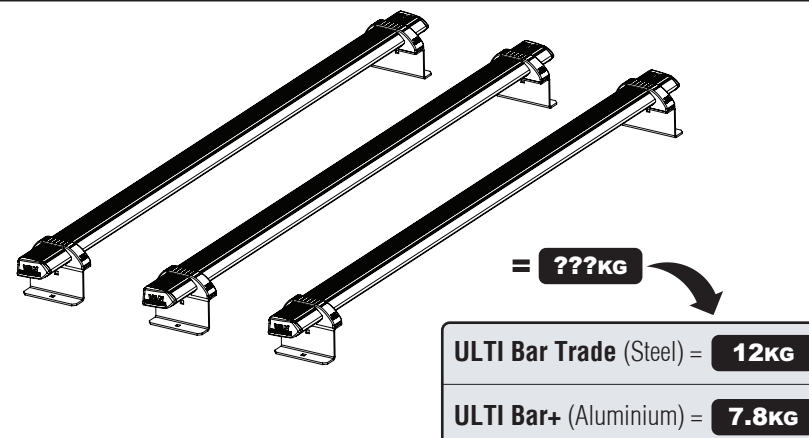
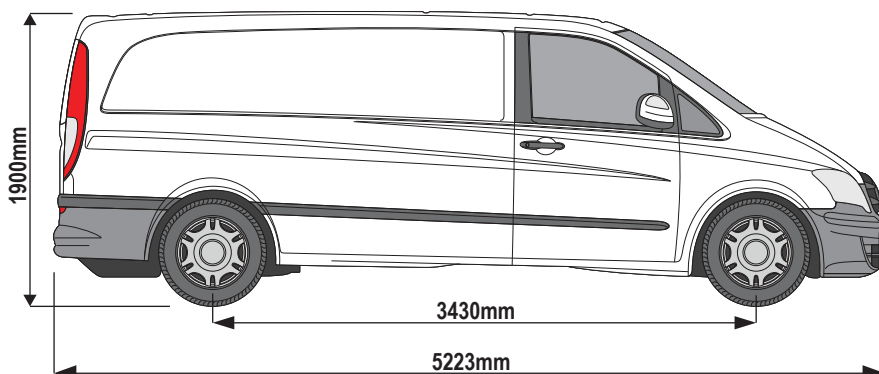
## 264-3

**Vehicle:**  
Mercedes Vito: 2004 on  
**Wheel Base:** Long (L2)  
**Roof Height:** Low (H1)  
**Rear Doors:** Twin / Tailgate

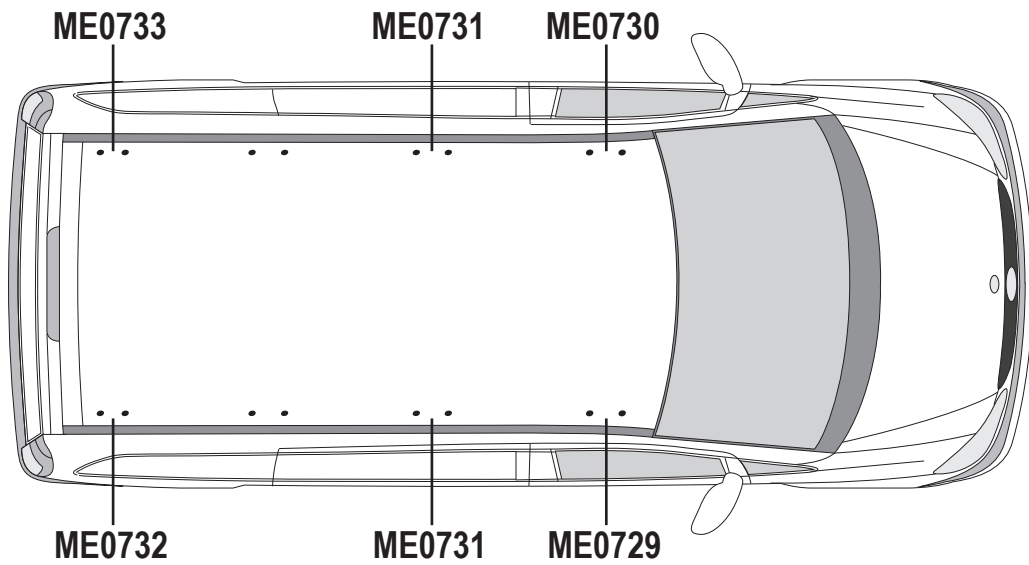


## 264-3

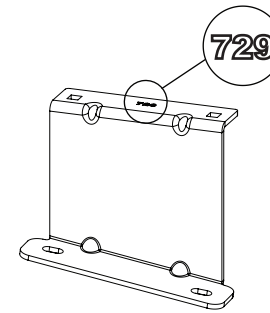
**Vehicle:**  
Mercedes Vito: 2004 on  
**Wheel Base:** Extra Long (L3)  
**Roof Height:** Low (H1)  
**Rear Doors:** Twin / Tailgate



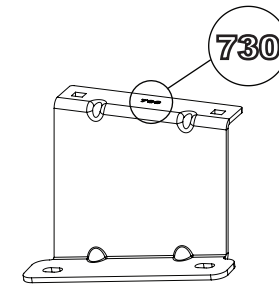
1



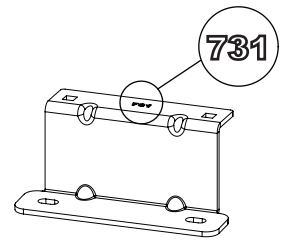
ME0729



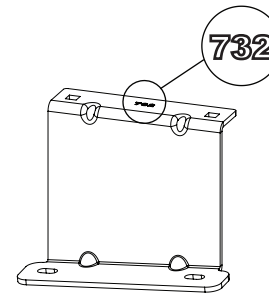
ME0730



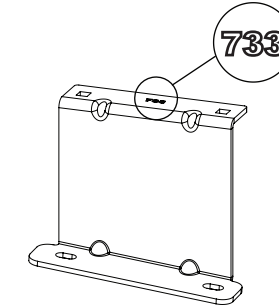
ME0731



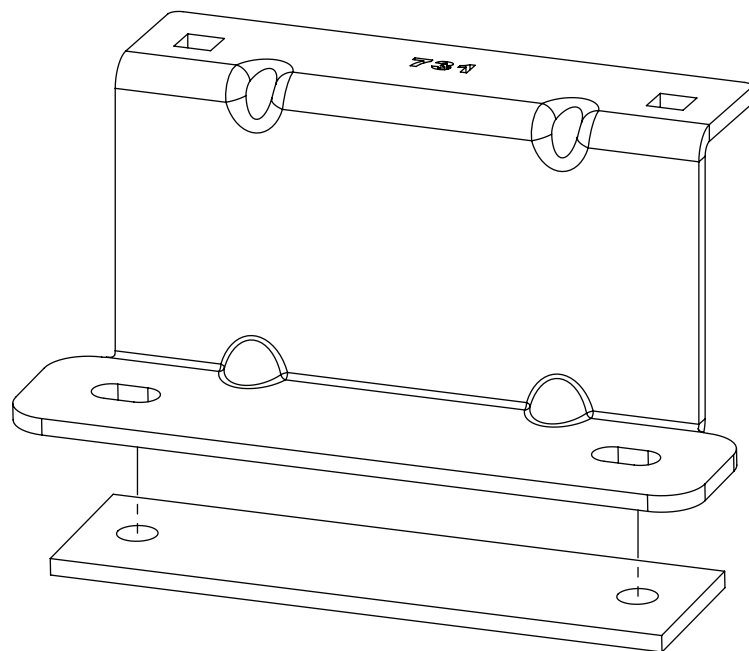
ME0732



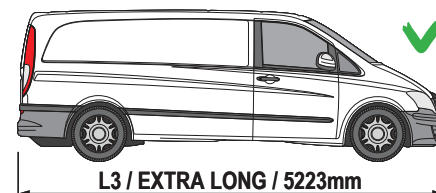
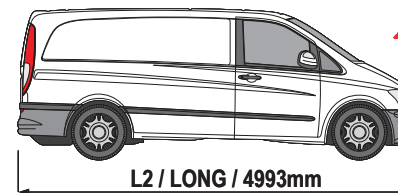
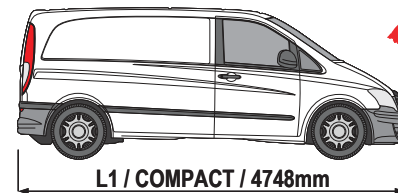
ME0733



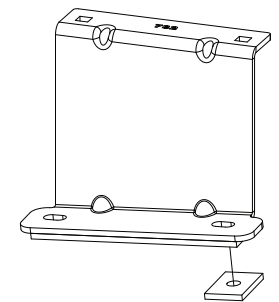
2



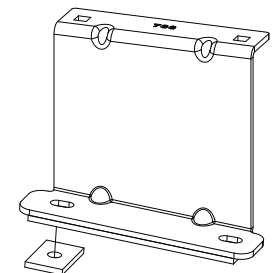
3



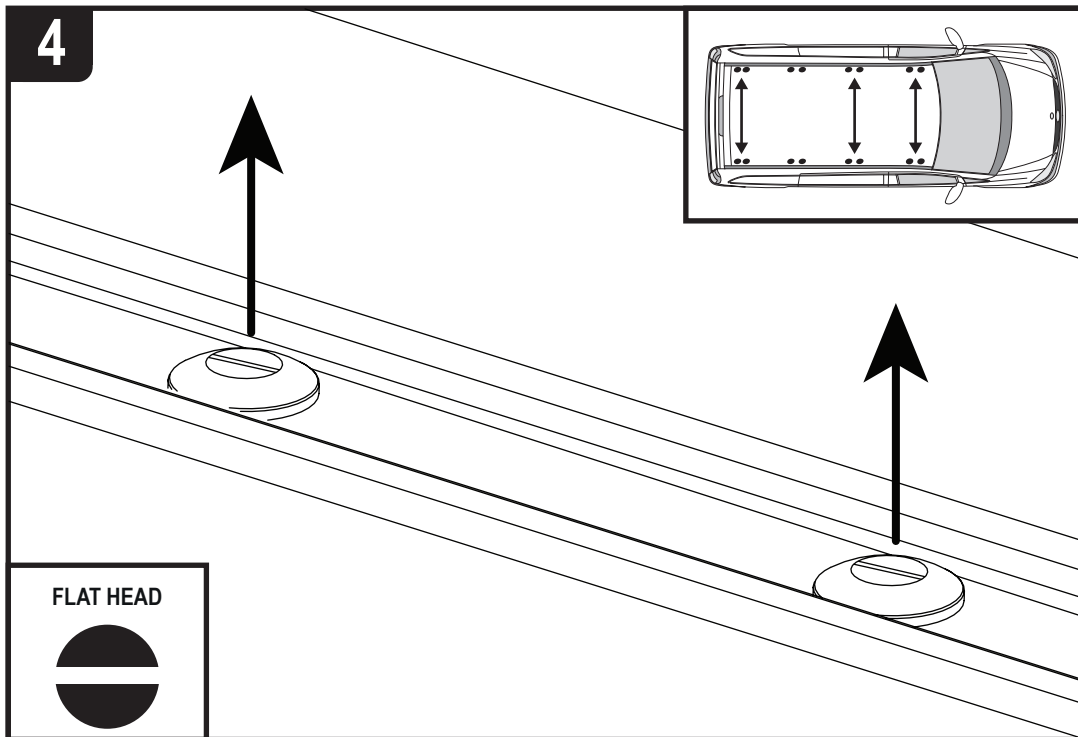
ME0732



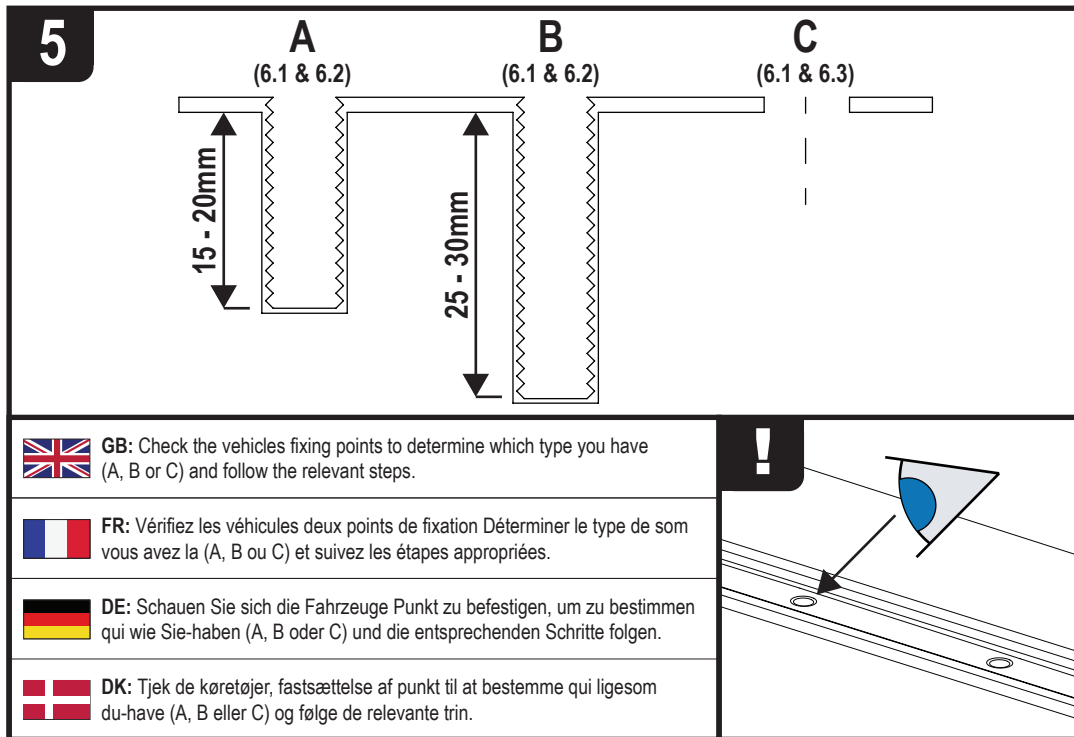
ME0733



4

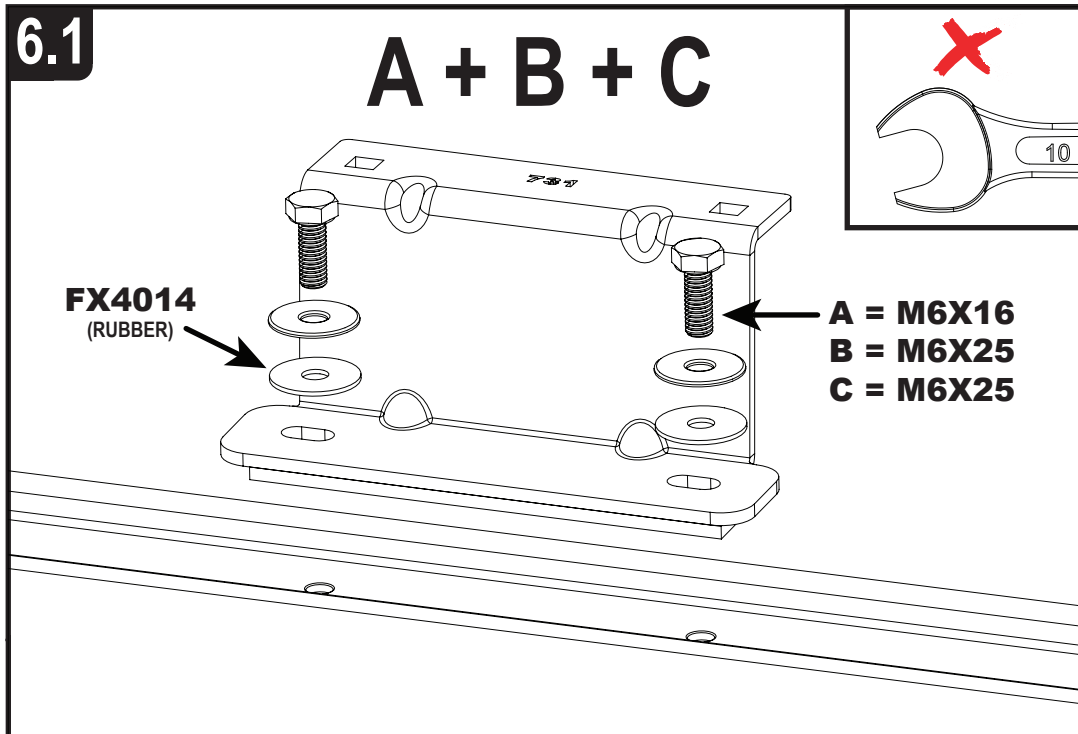


5



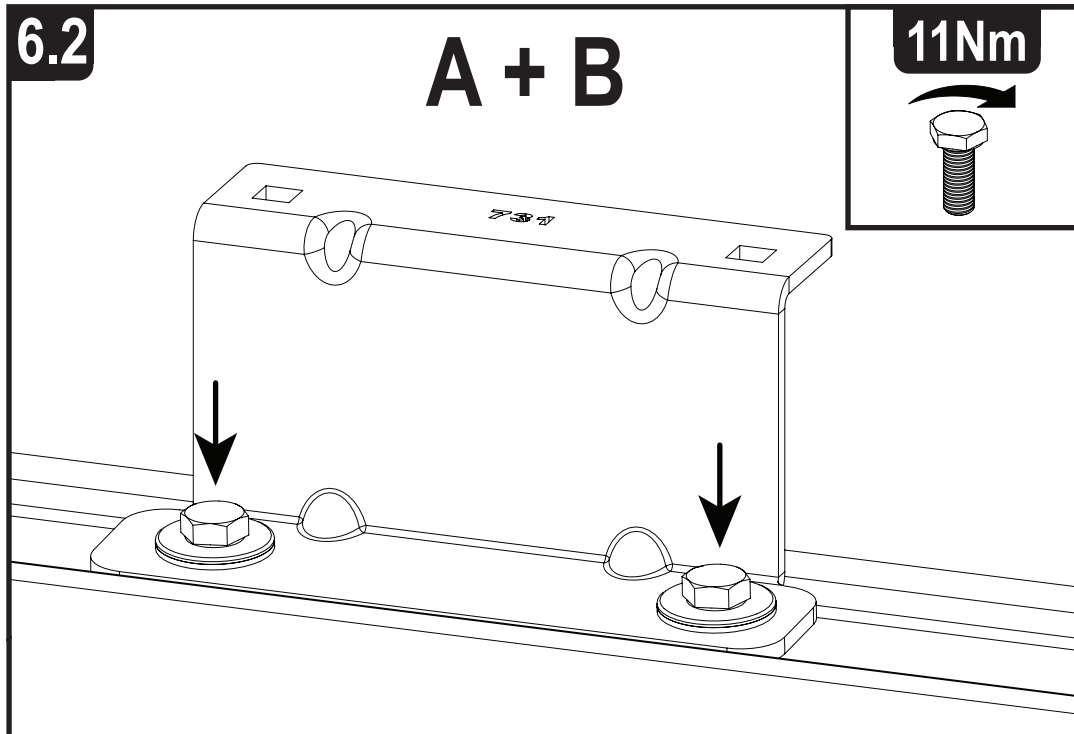
6.1

A + B + C



6.2

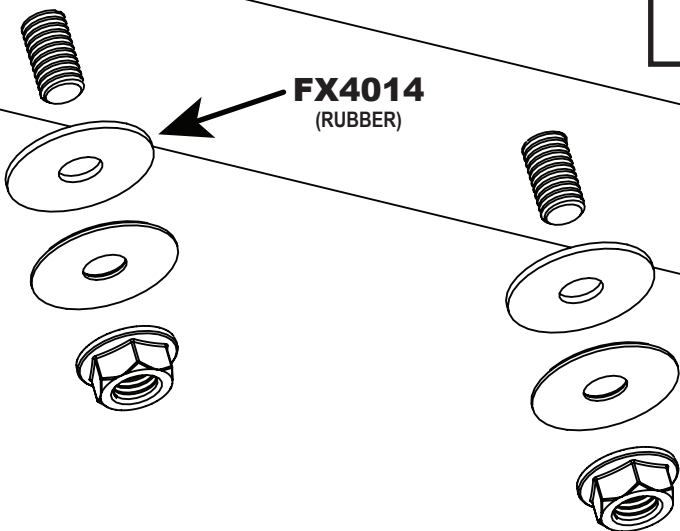
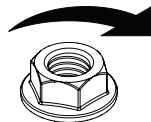
A + B



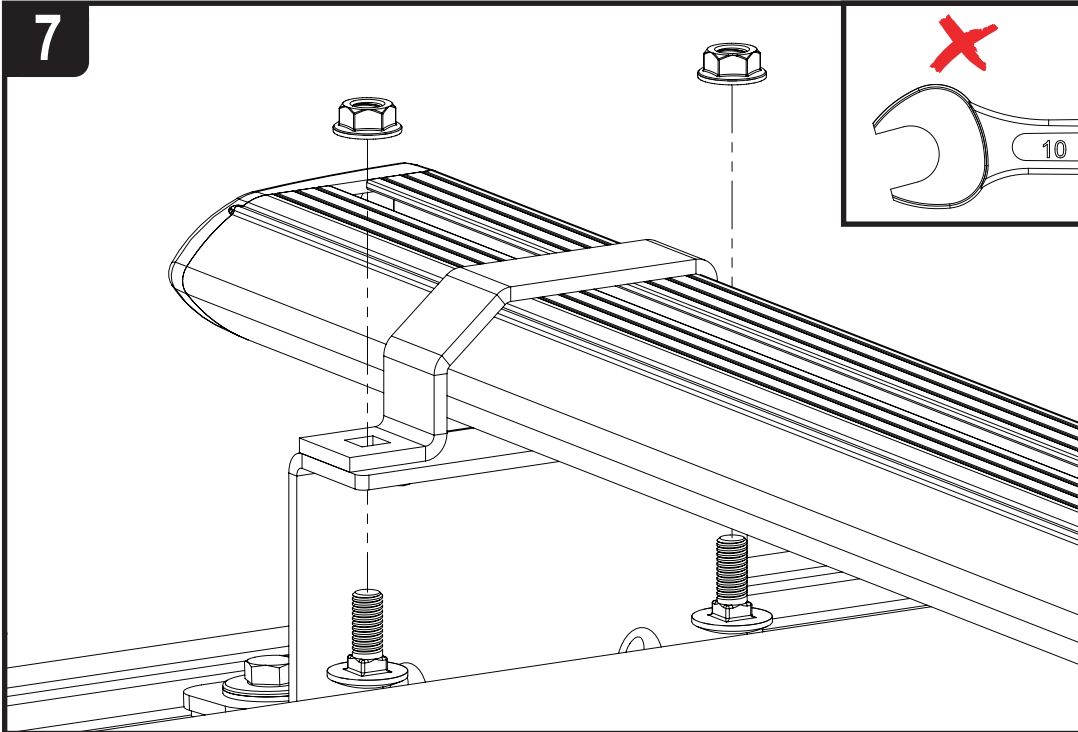
6.3

C

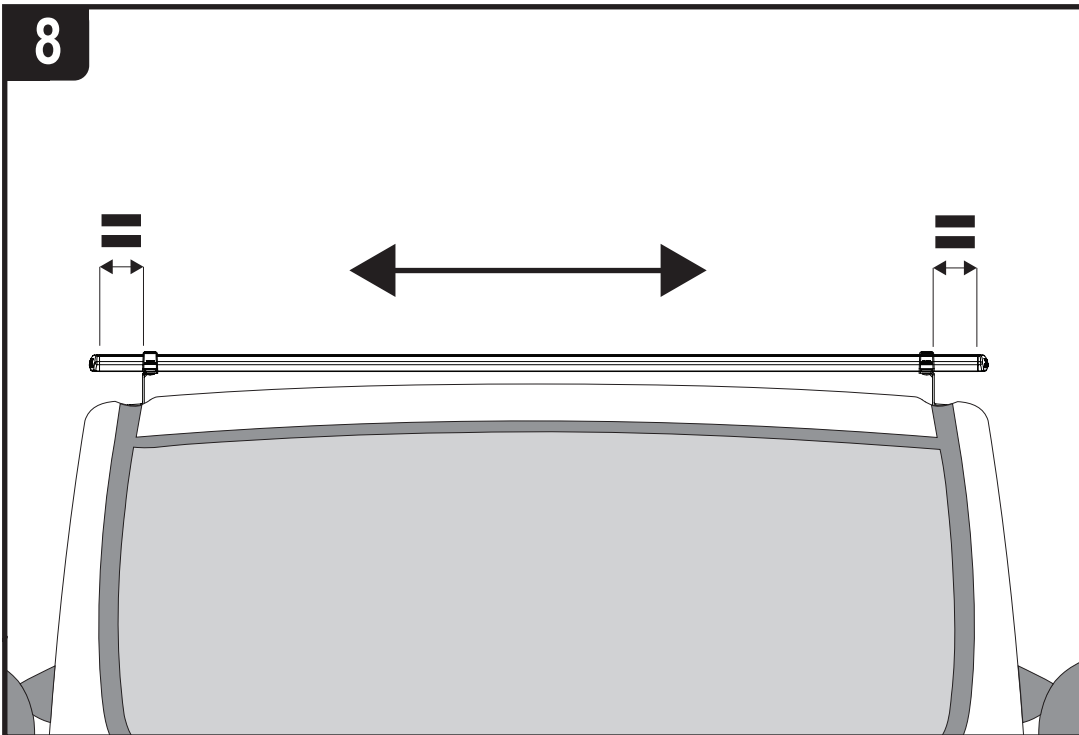
11Nm



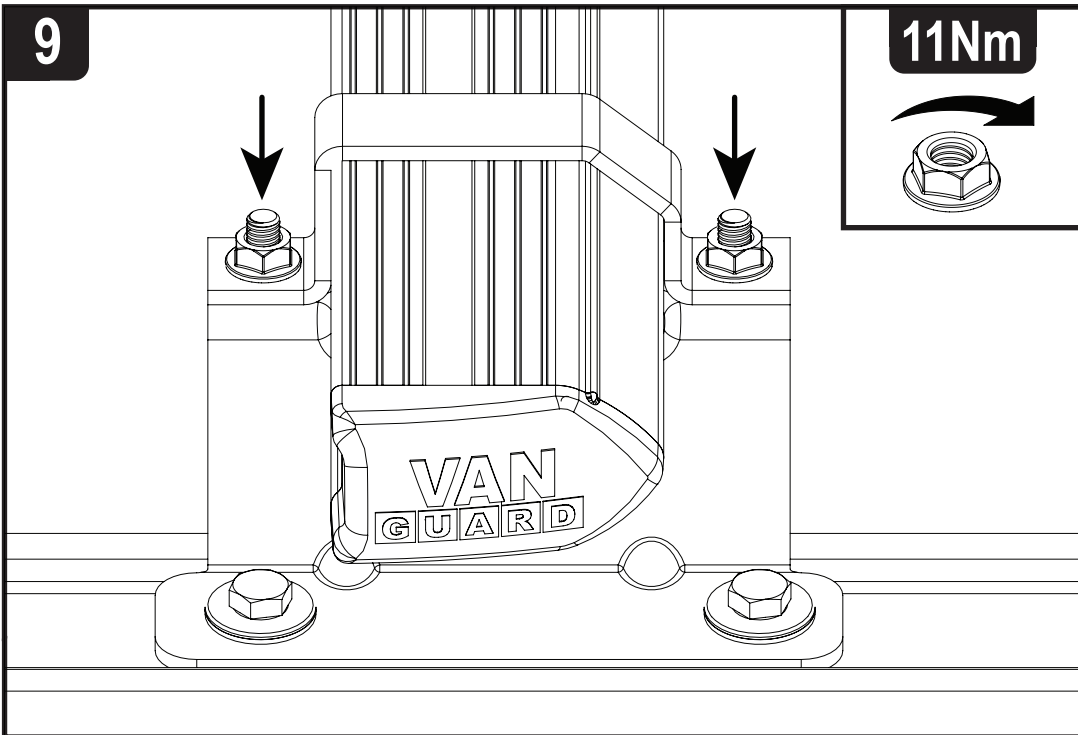
7

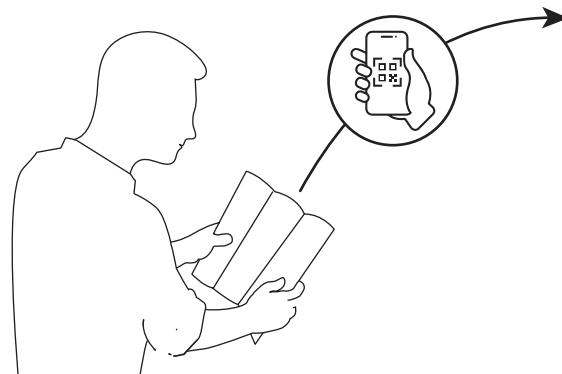
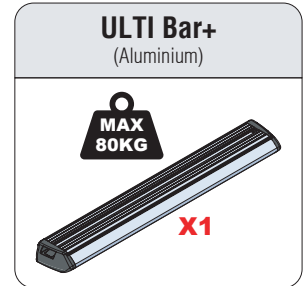
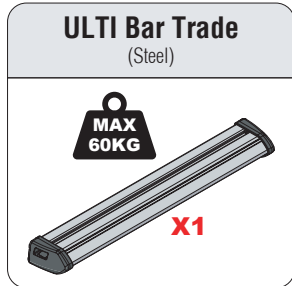
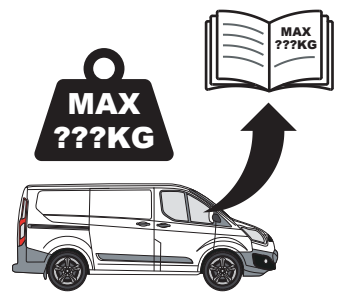
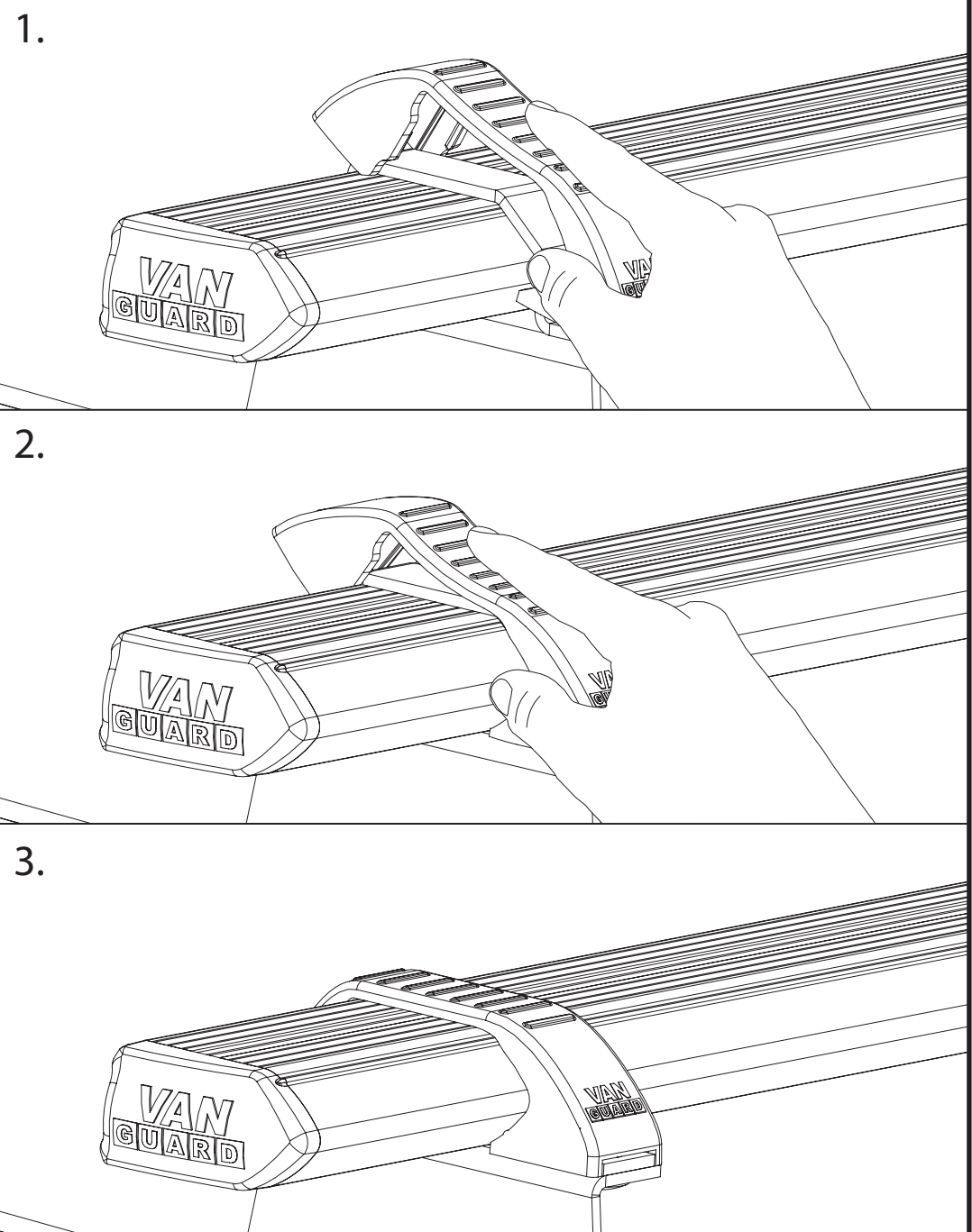


8



9





EN - SAFETY AND PRODUCT INFORMATION  
 DE - SICHERHEITS- UND PRODUKTINFORMATIONEN  
 FR - INFORMATIONS DE SÉCURITÉ ET DU PRODUIT  
 NL - VEILIGHEIDS- EN PRODUCTINFORMATIE  
 ES - INFORMACIÓN DE SEGURIDAD Y DEL PRODUCTO  
 IT - INFORMAZIONI SULLA SICUREZZA E SUL PRODOTTO

SV - SÄKERHETS- OCH PRODUKTINFORMATION  
 DA - SIKKERHEDS- OG PRODUKTINFORMATION  
 NO - SIKKERHETS- OG PRODUKTINFORMASJON  
 PL - INFORMACJE O BEZPIECZENSTWIE I PRODUKCJE  
 CS - INFORMACE O BEZPEČNOSTI A PRODUKTU