

IN8100

ULTI Bars - X3

FX4011 X12 (M8) 	FX4014 X12 (RUBBER) 	FX4016 X12 (M6) 	FX4013 X12 (M6) 	FX4020 X12 (M8) 	FX4024 X12 (M8X40) 	FX4025 X12 (M6) 	FX4026 X12 (M6X20) 	FX4042 X12 (M6)
MA6021 X12 	MA6065 X6 	ME0064 X4 	ME0065 X1 	ME0066 X1 	ME0203 X6 	ME0759 X6 		

TOOLS REQUIRED

10MM X 1

13MM X 2

EN - SAFETY AND PRODUCT INFORMATION
 DE - SICHERHEITS- UND PRODUKTINFORMATIONEN
 FR - INFORMATIONS DE SÉCURITÉ ET DU PRODUIT
 NL - VEILIGHEIDS- EN PRODUCTINFORMATIE
 ES - INFORMACIÓN DE SEGURIDAD Y DEL PRODUCTO
 IT - INFORMAZIONI SULLA SICUREZZA E SUL PRODOTTO

SV - SÄKERHETS- OCH PRODUKTINFORMATION
 DA - SIKKERHETS- OG PRODUKTINFORMATION
 NO - SIKKERHETS- OG PRODUKTINFORMASJON
 PL - INFORMACJE O BEZPIECZENSTWIE I PRODUKCIE
 CS - INFORMACE O BEZPEČNOSTI A PRODUKTU

Customercare@van-guard.co.uk
UK +44 (0) 1392 368 351

MA6166

X3

ULTI Bar Trade
(Steel)

MA6167

X3

ULTI Bar+
(Aluminium)

286-3

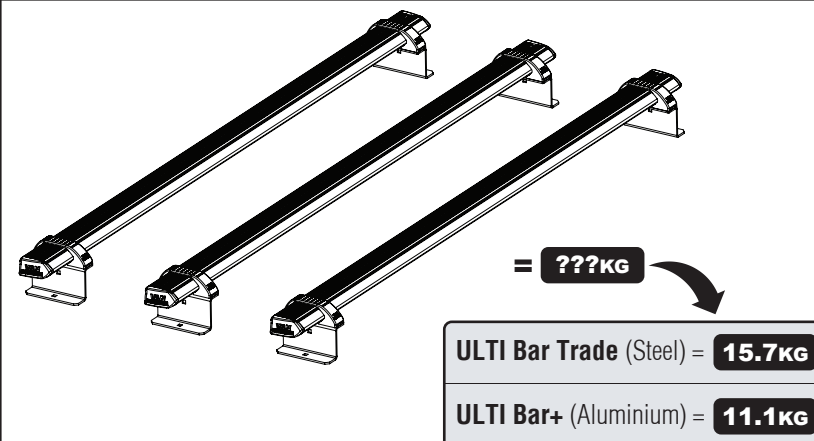
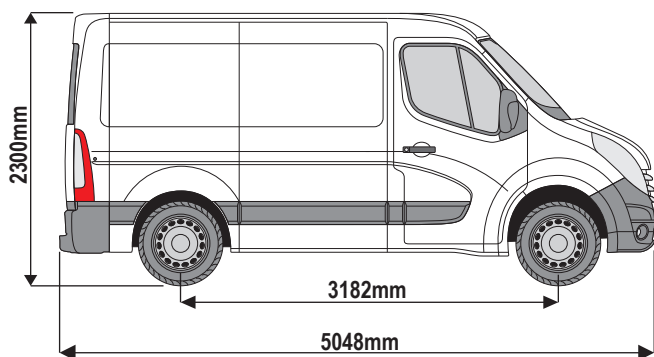
Vehicle:

Nissan NV400: 2010-2021
 Nissan Interstar: 2022 on
 Renault Master: 2010 on
 Vauxhall Movano: 2010-2021

Wheel Base: SWB (L1)

Roof Height: Low (H1)

Rear Doors: Twin



286-3

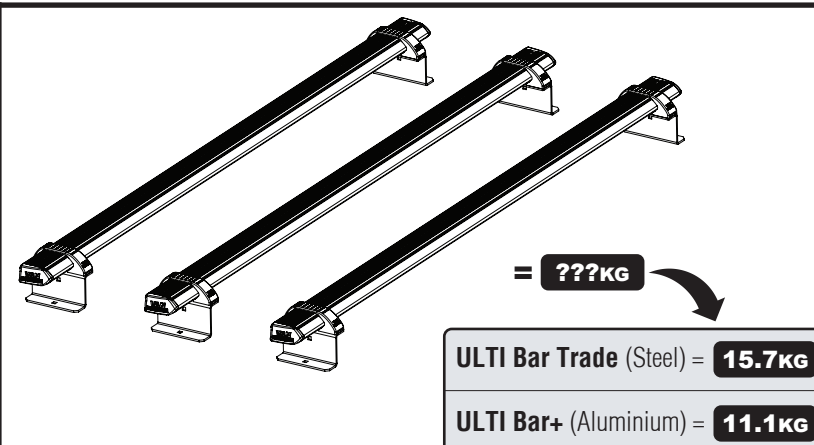
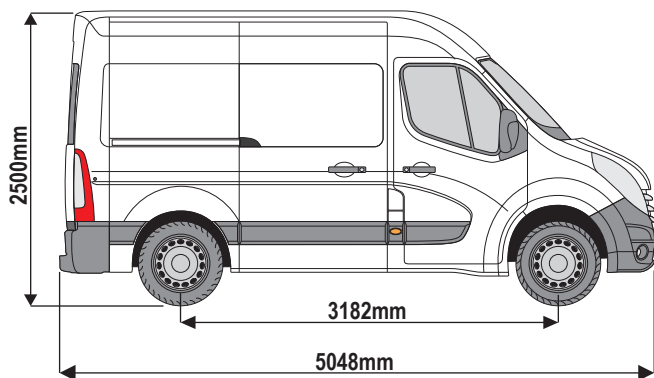
Vehicle:

Nissan NV400: 2010-2021
 Nissan Interstar: 2022 on
 Renault Master: 2010 on
 Vauxhall Movano: 2010-2021

Wheel Base: SWB (L1)

Roof Height: Medium (H2)

Rear Doors: Twin



286-3

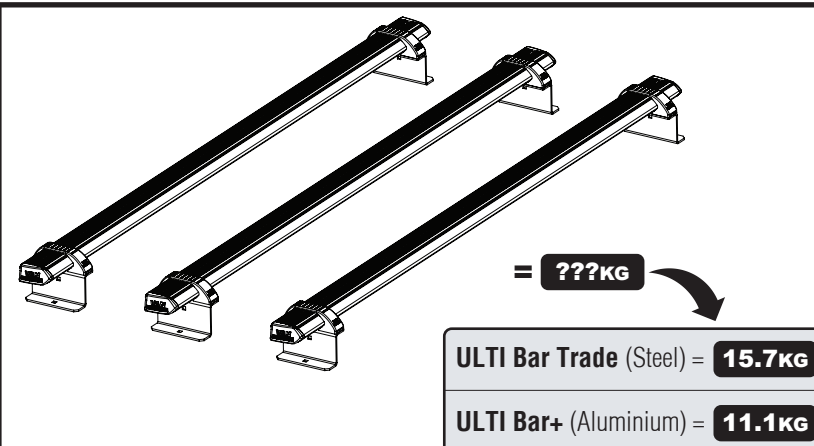
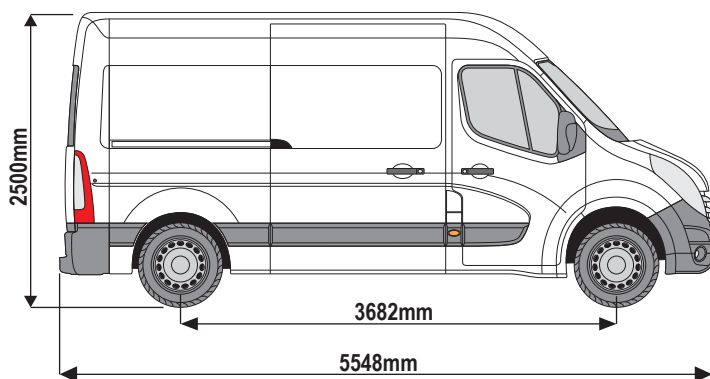
Vehicle:

Nissan NV400: 2010-2021
 Nissan Interstar: 2022 on
 Renault Master: 2010 on
 Vauxhall Movano: 2010-2021

Wheel Base: MWB (L2)

Roof Height: Medium (H2)

Rear Doors: Twin



286-3

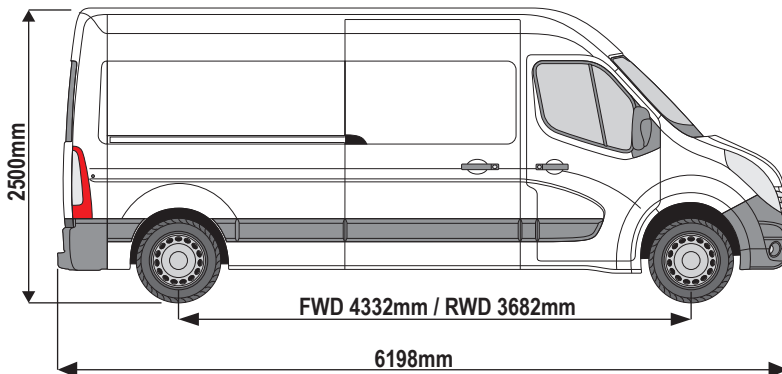
Vehicle:

Nissan NV400: 2010-2021
 Nissan Interstar: 2022 on
 Renault Master: 2010 on
 Vauxhall Movano: 2010-2021

Wheel Base: LWB (L3)

Roof Height: Medium (H2)

Rear Doors: Twin



= **???**KG

ULTI Bar Trade (Steel) =	15.7KG
ULTI Bar+ (Aluminium) =	11.1KG

286-3

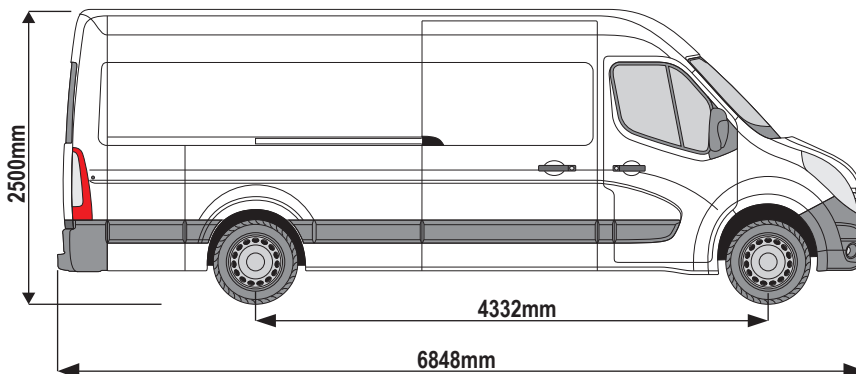
Vehicle:

Nissan NV400: 2010-2021
 Nissan Interstar: 2022 on
 Renault Master: 2010 on
 Vauxhall Movano: 2010-2021

Wheel Base: XLWB (L4)

Roof Height: Medium (H2)

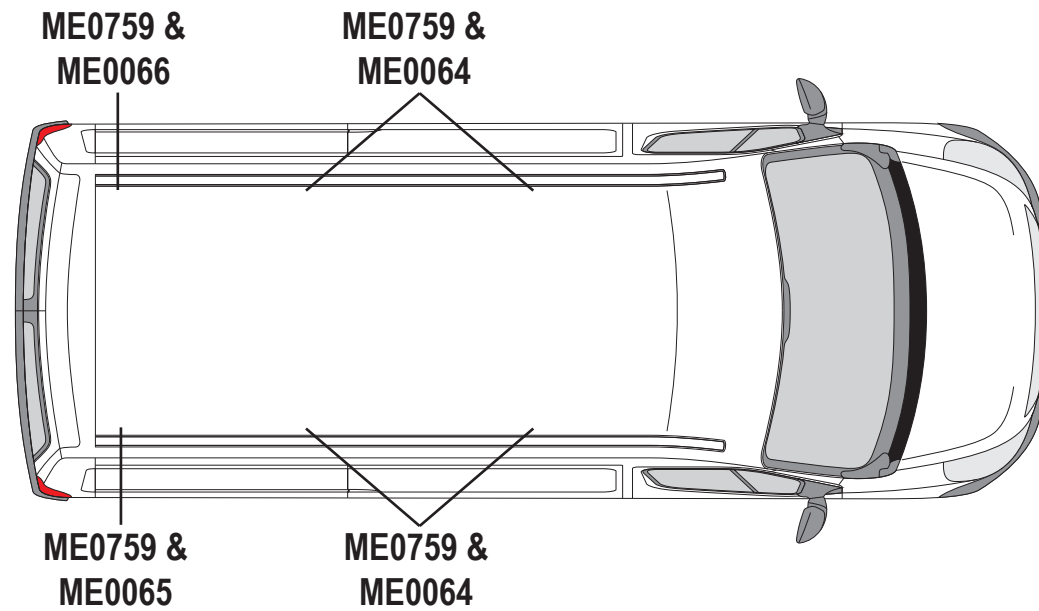
Rear Doors: Twin



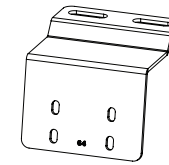
= **???**KG

ULTI Bar Trade (Steel) =	15.7KG
ULTI Bar+ (Aluminium) =	11.1KG

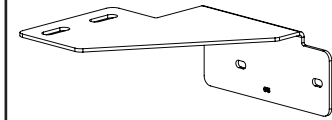
1



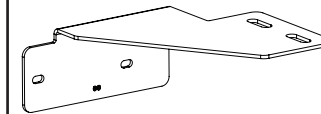
ME0064



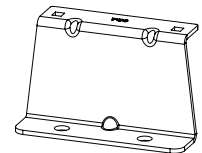
ME0065



ME0066

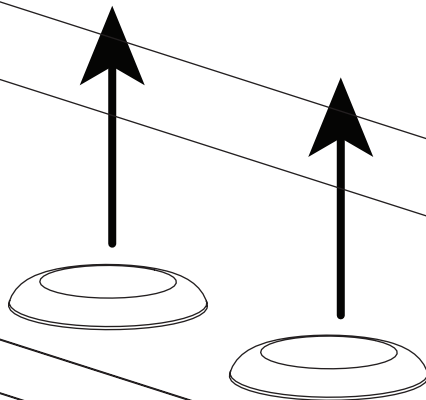


ME0759



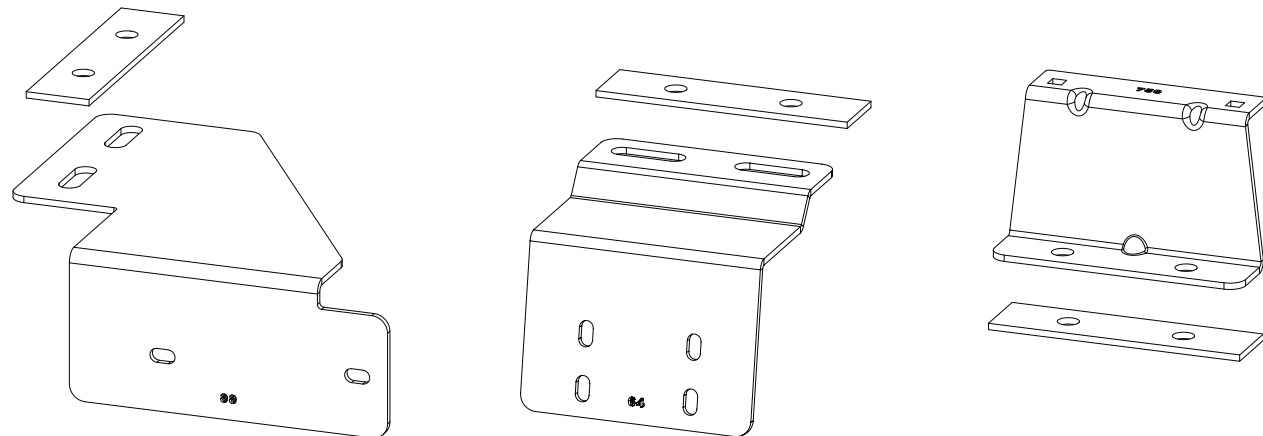
2

Remove roof plugs to reveal the vehicles fixing points.



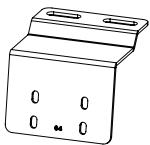
3

Stick rubber pads to all roof brackets.

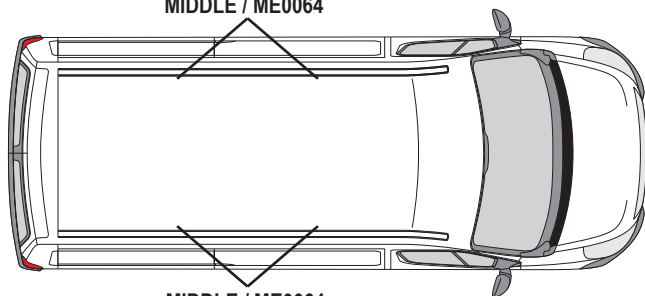


4

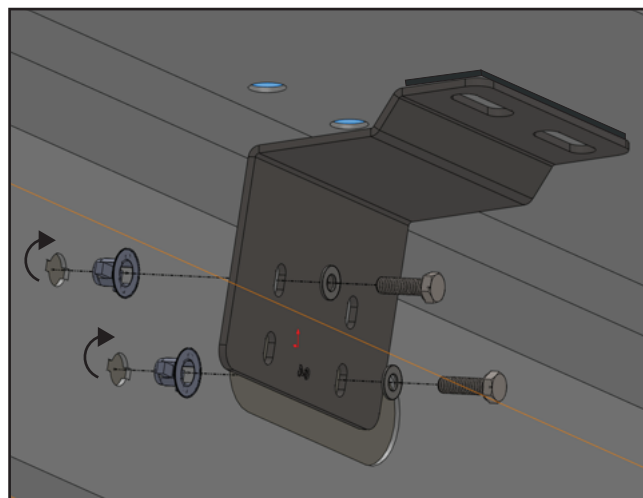
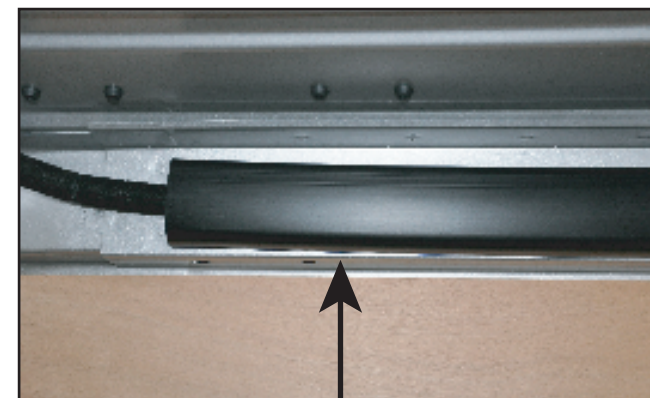
Loosely secure the middle inner fixing brackets to the inside of the vehicle by inserting the M6 1/4 turn nut inserts (FX4025) into the positions shown in FIG.1. Then place the middle inner bracket into place and loosely bolt into the M6 1/4 turn inserts using M6x20 hex bolts and M6 washers. Please note the cable trim (shown in FIG.2) may have to be removed. This trim can be refitted after the inner bracket has been secured.

MIDDLE (ME0064)

MIDDLE / ME0064



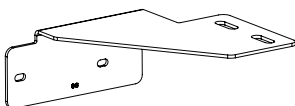
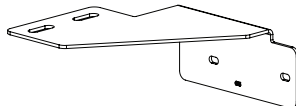
MIDDLE / ME0064

FIG.1**FIG.2**

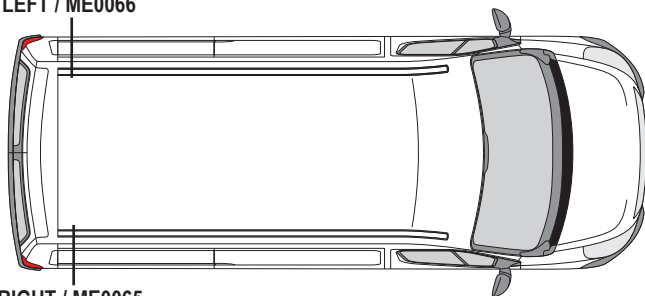
TRIM MAY NEED REMOVING BEFORE FITTING. THIS CAN BE RE-FITTED AFTWARDS.

5

Loosely secure the rear inner fixing brackets to the inside of the vehicle by inserting the M6 1/4 turn nut inserts (FX4025) into the positions shown below. Then place the rear inner bracket in position and loosely bolt into the M6 1/4 turn inserts using M6x20 hex bolts and M6 washers.

LEFT (ME0066)**RIGHT (ME0065)**

LEFT / ME0066



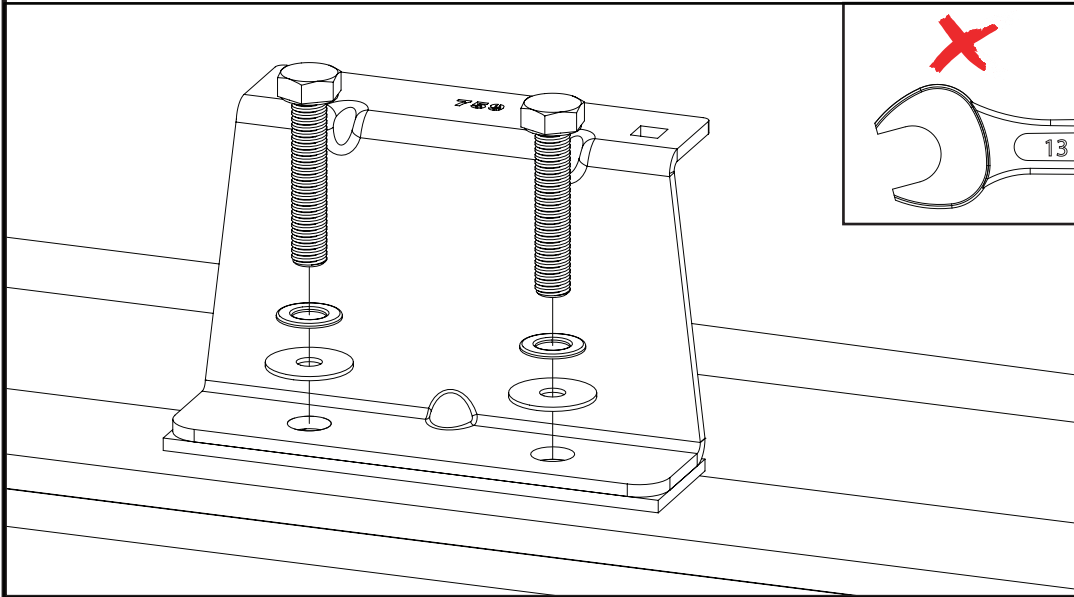
RIGHT / ME0065



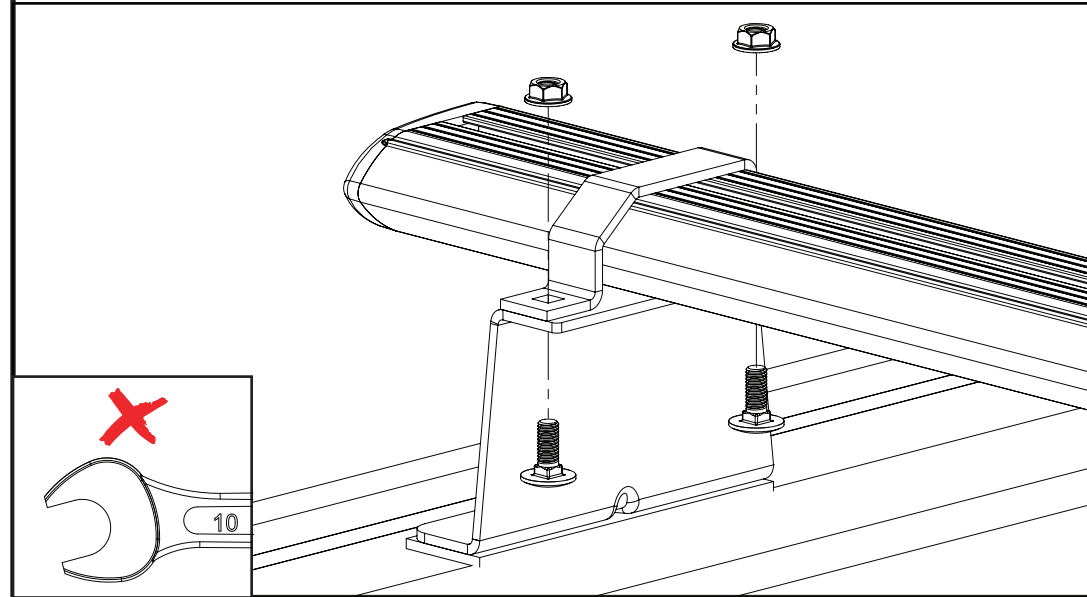
M6 1/4 TURN NUT INSERT LOCATIONS

M6 1/4 TURN NUT INSERT LOCATIONS

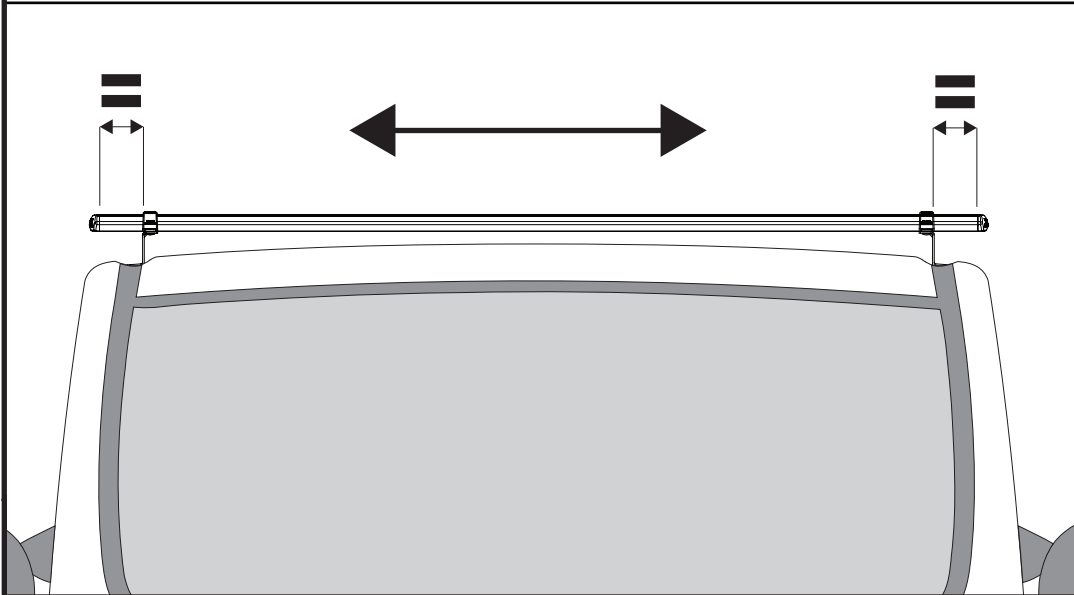
6 Place the roof brackets onto the roof and bolt down through the fixing points and through the inner fixing brackets using M8X40 hex bolts, M8 washers & rubber washers.



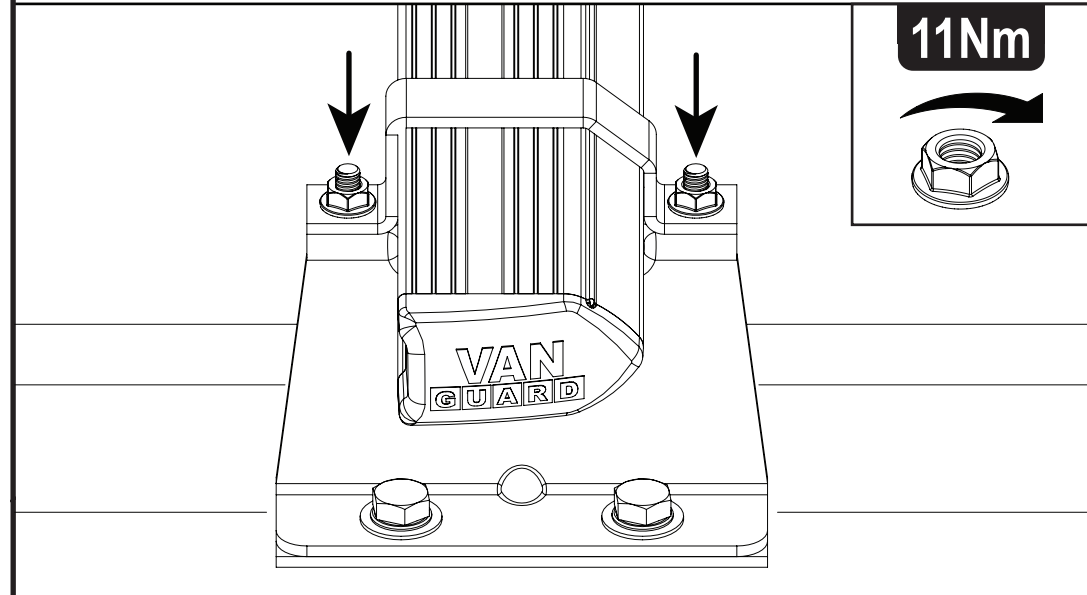
7 Place the roof bars onto the roof brackets and loosely secure using M6X16 coach bolts & M6 flange nuts.



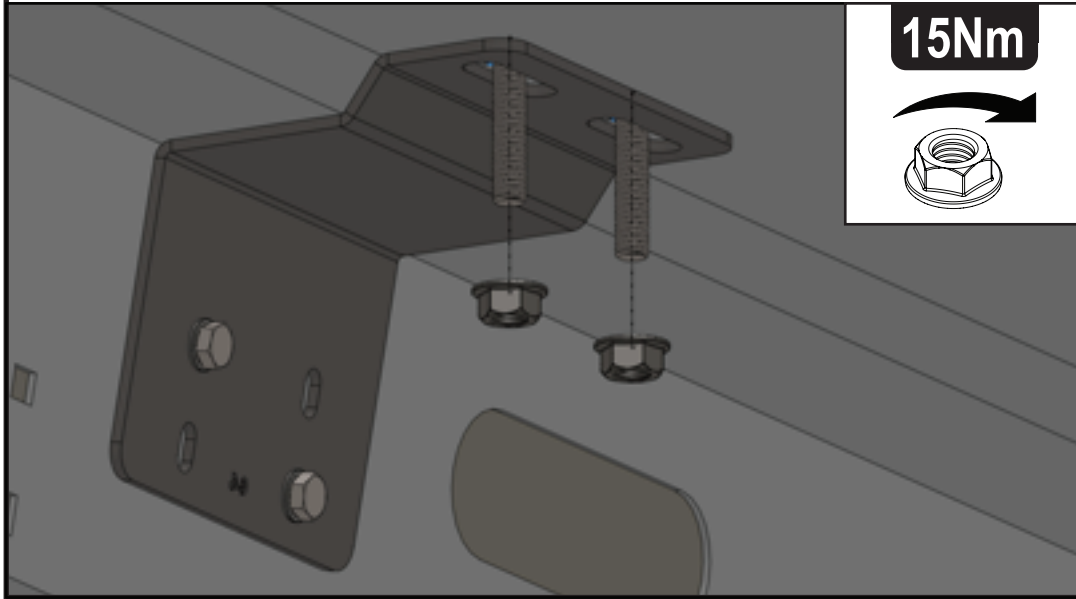
8 Adjust the roof bars to ensure that they are evenly spaced on the vehicle.



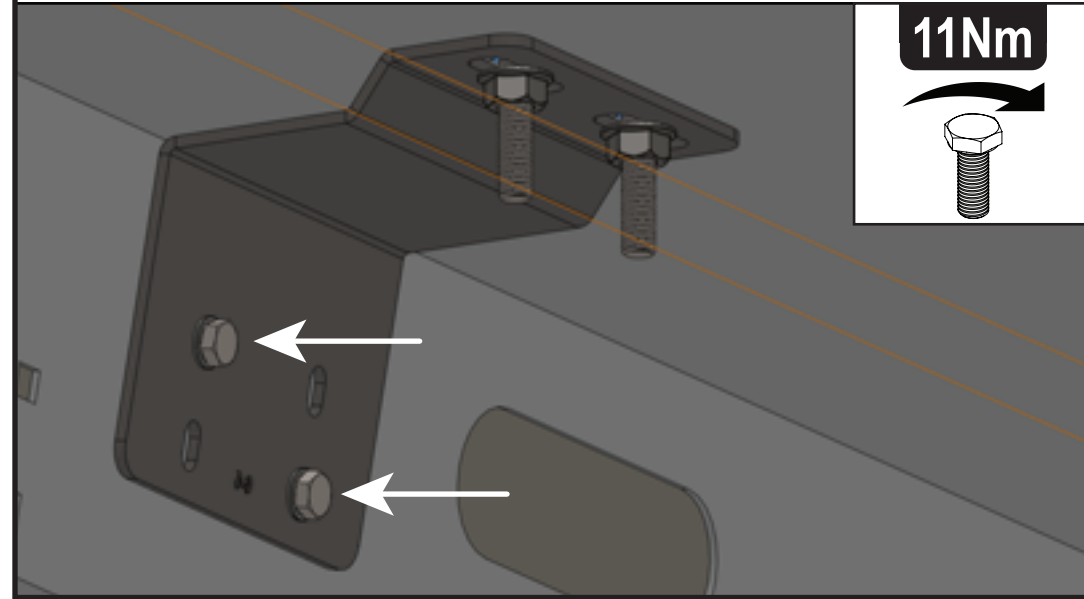
9 Tighten the roof bar fixings to 8Nm.



10 Secure the roof brackets to the inner fixing brackets using M8 flange nuts and tighten to 12Nm.

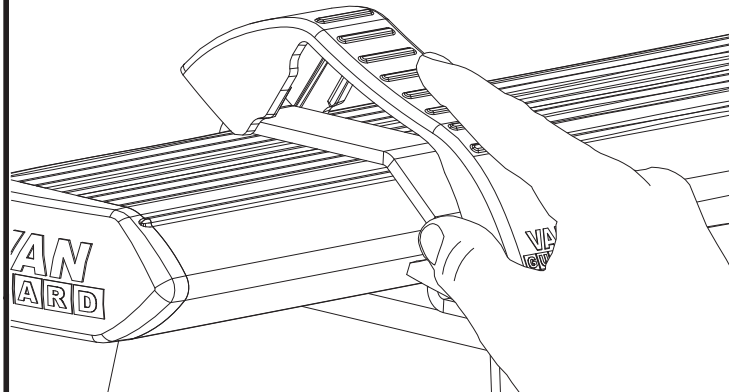


11 Tighten the M6 fixings on all inner fixing brackets to 8Nm.

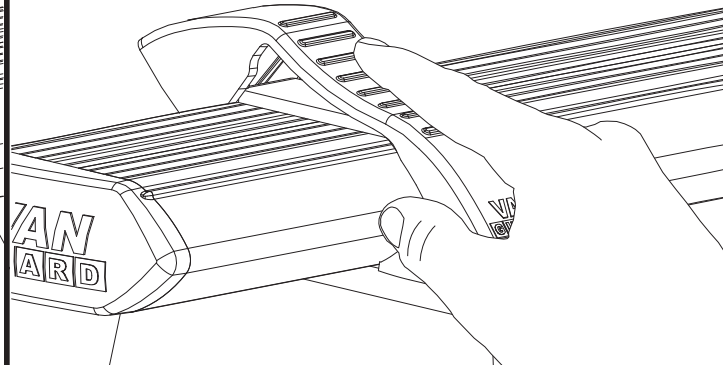


12

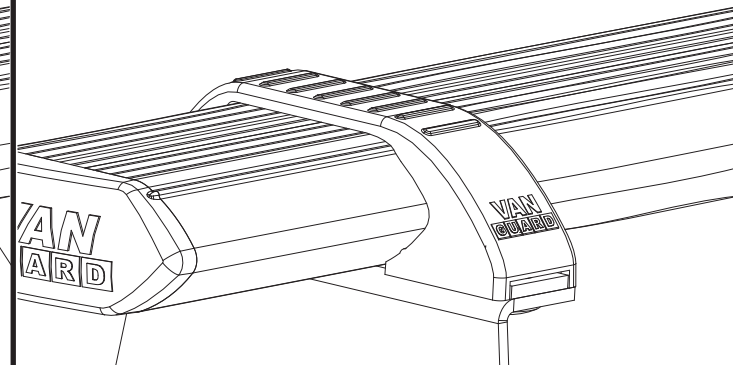
1.

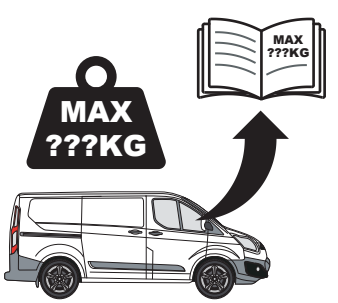


2.



3.





ULTI Bar Trade
(Steel)

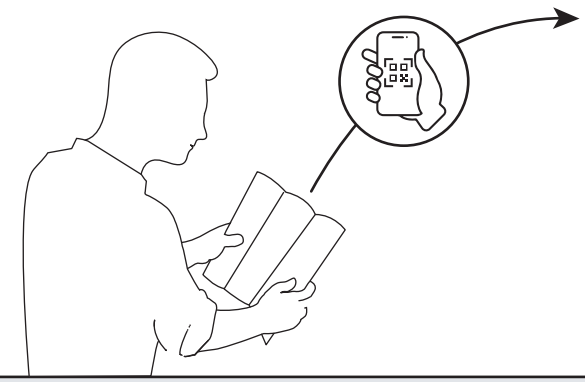
MAX 60KG

X1

ULTI Bar+
(Aluminium)

MAX 80KG

X1



EN - SAFETY AND PRODUCT INFORMATION
DE - SICHERHEITS- UND PRODUKTINFORMATIONEN
FR - INFORMATIONS DE SÉCURITÉ ET DU PRODUIT
NL - VEILIGHEIDS- EN PRODUCTINFORMATIE
ES - INFORMACIÓN DE SEGURIDAD Y DEL PRODUCTO
IT - INFORMAZIONI SULLA SICUREZZA E SUL PRODOTTO

SV - SÄKERHETS- OCH PRODUKTINFORMATION
DA - SIKKERHEDS- OG PRODUKTINFORMATION
NO - SIKKERHETS- OG PRODUKTINFORMASJON
PL - INFORMACJE O BEZPIECZENSTWIE I PRODUKCIE
CS - INFORMACE O BEZPEČNOSTI A PRODUKTU