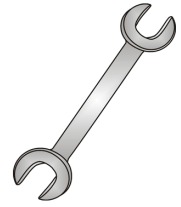




PRO-STEP™

Fitting Instruction

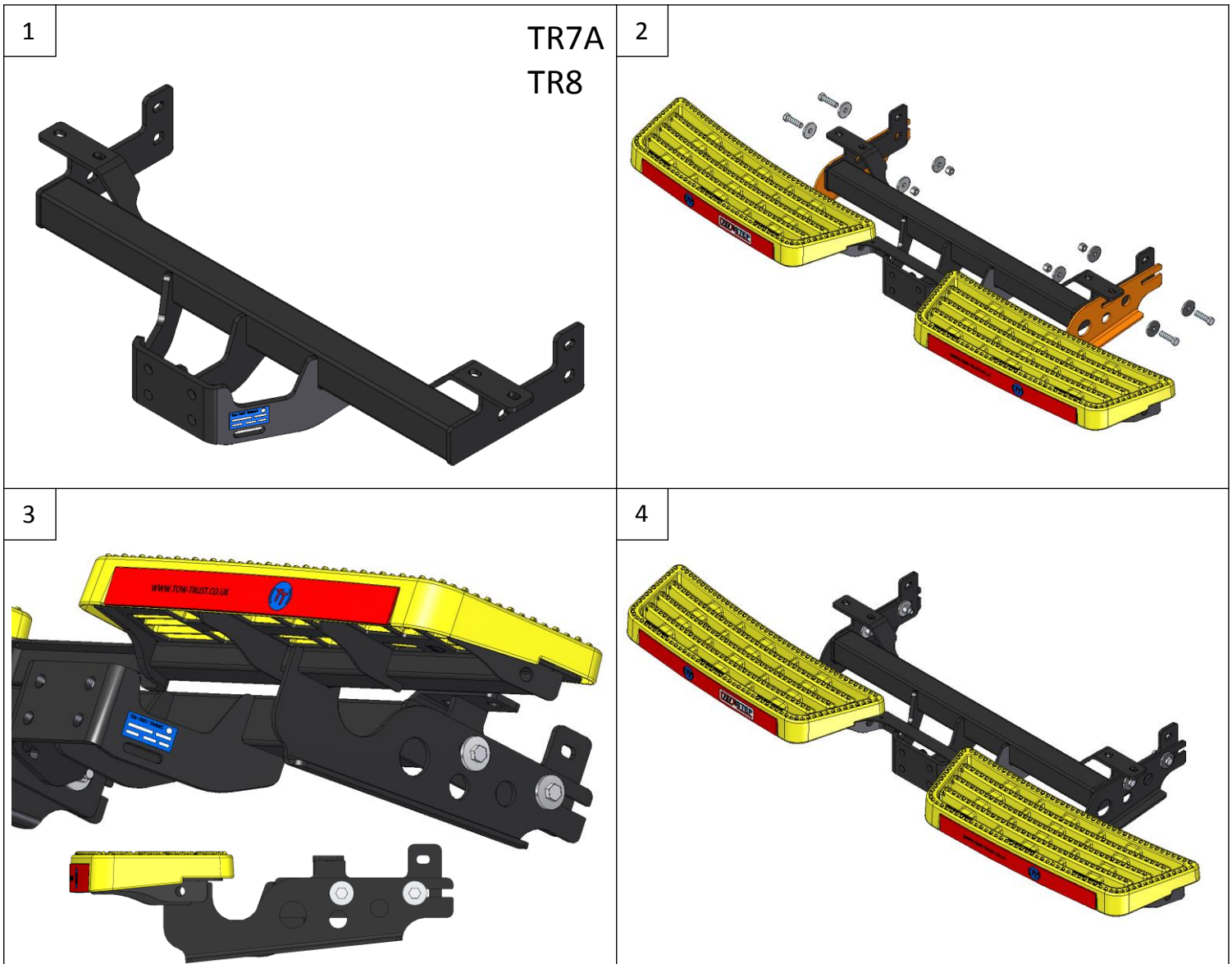


Issue 1

PRO-TR8

| Item | Qty | Description |
|------|-----|-----------------------------|
| A | 1 | PRO-TR8 STEP |
| B | 4 | M12 x 45 Bolts & Nyloc Nuts |
| C | 8 | 12 x 40 Flat Washers |

1. Using Item B with Item C fix Item A to the Towbar end plates.
2. Fully tighten all fixings ensuring the Pro-Step are rigid, square and secure.



Note:

1. Nose load limits and vehicle manufacturers trailer / caravan weight limits must be observed.