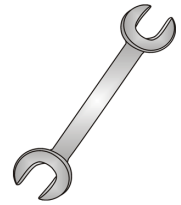




Tow-Trust Towbars

Important: Please read General Notes overleaf before fitting

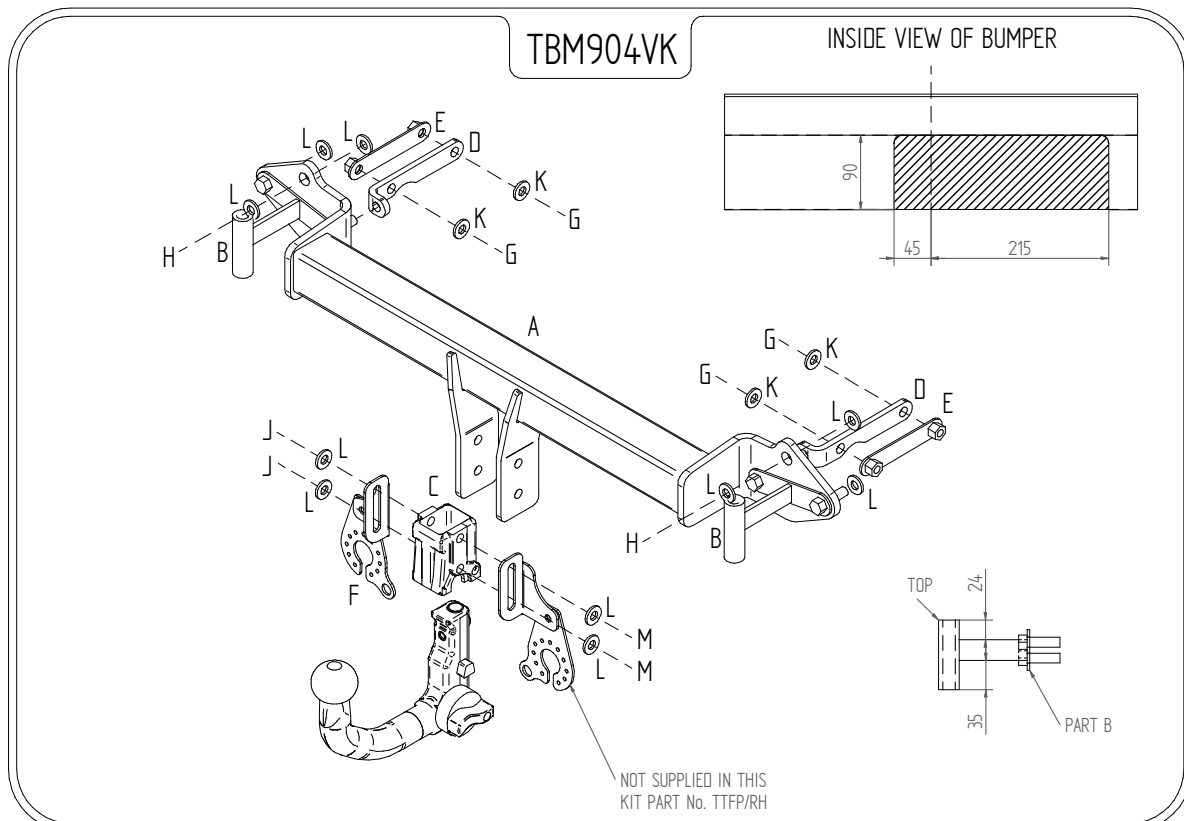


Issue 8

TBM904VK BMW 3 SERIES SAL 1998 – 2005 BMW 3 SERIES TOURING EST 1999 – 2005 BMW 3 SERIES COUPE 1999 – 2006 & CONVERTIBLE 2000 – 2007

| Item | Qty | Description | Item | Qty | Description |
|------|-----|------------------------|------|-----|--------------------------------------|
| A | 1 | Crossmember | F | 1 | Flip Up Socket Plate |
| B | 2 | Handed Bumper Brackets | G | 4 | M10 x 30 Bolts & S/P Washers Only |
| C | 1 | Detachable Housing | H | 2 | M12 x 35 Bolts, 6 Nuts & S/P Washers |
| D | 2 | Handed Boot Brackets | J | 2 | M12 x 25 Bolts & S/P Washers |
| E | 2 | Clamp Plates with Nuts | K | 4 | 10 x 25 Flat Washers |
| | | | L | 10 | 12 x 25 Flat Washers |
| | | | M | 2 | M12 x 22 Bolts & S/P Washers |

1. Remove the boot covering, side trim and battery cover.
2. Remove mud flaps (if fitted). Remove the rear bumper, 6 nuts on the rear panel inside the boot, 1 steel clip in each wheel arch and 1 push in clip in each wheel arch. Remove central bumper strip. Remove the torx bolts securing the bumper support brackets (these are no longer required) retain the torx head bolts. Cut a slot in the lower edge SEE SKETCH. (Trim to suit).
3. Locate item E through the access holes in the rear panel and over the existing holes in each chassis member. Using item G with item K bolt item D into position.
4. Using item H with item L loosely bolt item A at the top holes only, to the existing holes in the rear panel.
5. Using the existing torx head bolts loosely bolt item B to the inner bumper shell (see sketch), using the original push in clips refit inner bumper shell to the bumper.
6. Using the nuts and washers provided (item H) refit the bumper through the existing holes. (Temporarily remove inner bolt G to give improved access to nut (item H).
7. Using item J with item L and item M with item L bolt item F and item C to item A.
8. Fully tighten all nuts and bolts and ensure the towbar is rigid and secure.
9. Refit battery cover, side trim and floor covering.



- Note:**
1. Recommended Torque Setting for M12 Grade 10.9 -139 Nm. (For other Torque Settings see notes overleaf.)
 2. Nose load limits and vehicle manufacturer's trailer / caravan weight limits must be observed.