



Tow-Trust Towbars

Important: Please read General Notes overleaf before fitting



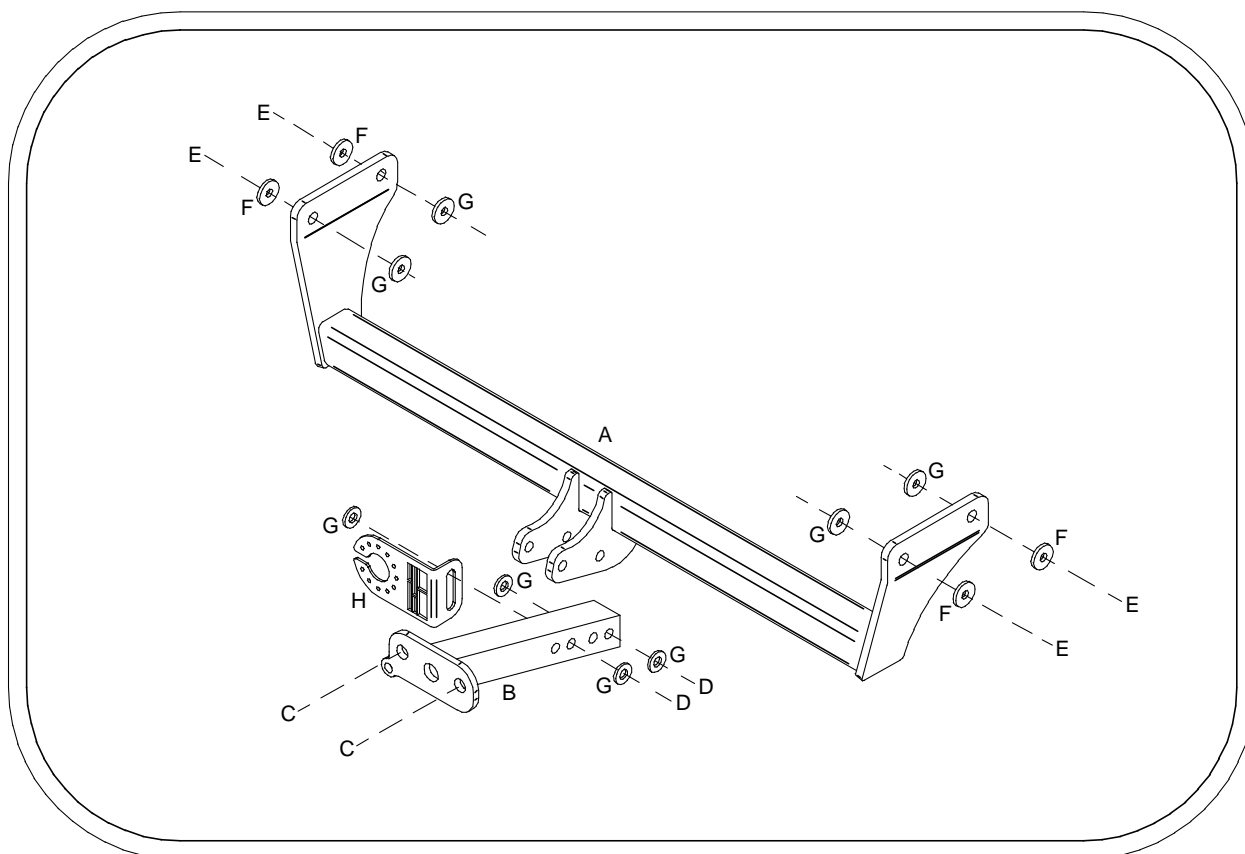
Issue 3

TCH6 Chrysler Jeep Compass / Jeep Patriot 2007>

| Item | Qty | Description | Item | Qty | Description |
|------|-----|---------------|------|-----|--|
| A | 1 | Crossmember | C | 2 | M16 x 50 Bolts, Nuts & S/P Washers |
| B | 1 | Extension Bar | D | 2 | M12 x 85 Grade 10.9 Bolts & Nyloc Nuts |
| | | | E | 4 | M12 x 110 Bolts, Nuts & S/P Washers |
| | | | F | 4 | M12 x 40 Flat Washers |
| | | | G | 8 | 12 x 25 Flat Washers |
| | | | H | 1 | Socket Plate |

1. Locate the two existing holes in the side face of each chassis and using Item E with Item F and Item G bolt Item A into place.
2. Using Item D with Item G bolt Item B and Item H to Item A.
3. Using item C bolt the ball bracket and wiring plate (not supplied in this kit) to the mounting plate.
4. Fully tighten all nuts and bolts and ensure the Towbar is rigid and secure.

2011> BUMPER CUT: Cut centrally 80 wide x 110 deep. You may also find fitting easier by removing the bumper.



Note:

1. Recommended Torque Setting for M12 Grade 10.9 -139 Nm. (For other Torque Settings see notes overleaf.)
2. Nose load limits and vehicle manufacturer's trailer / caravan weight limits must be observed.