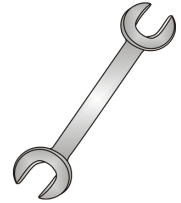




# Tow-Trust Towbars

Important: Please read General Notes overleaf before fitting

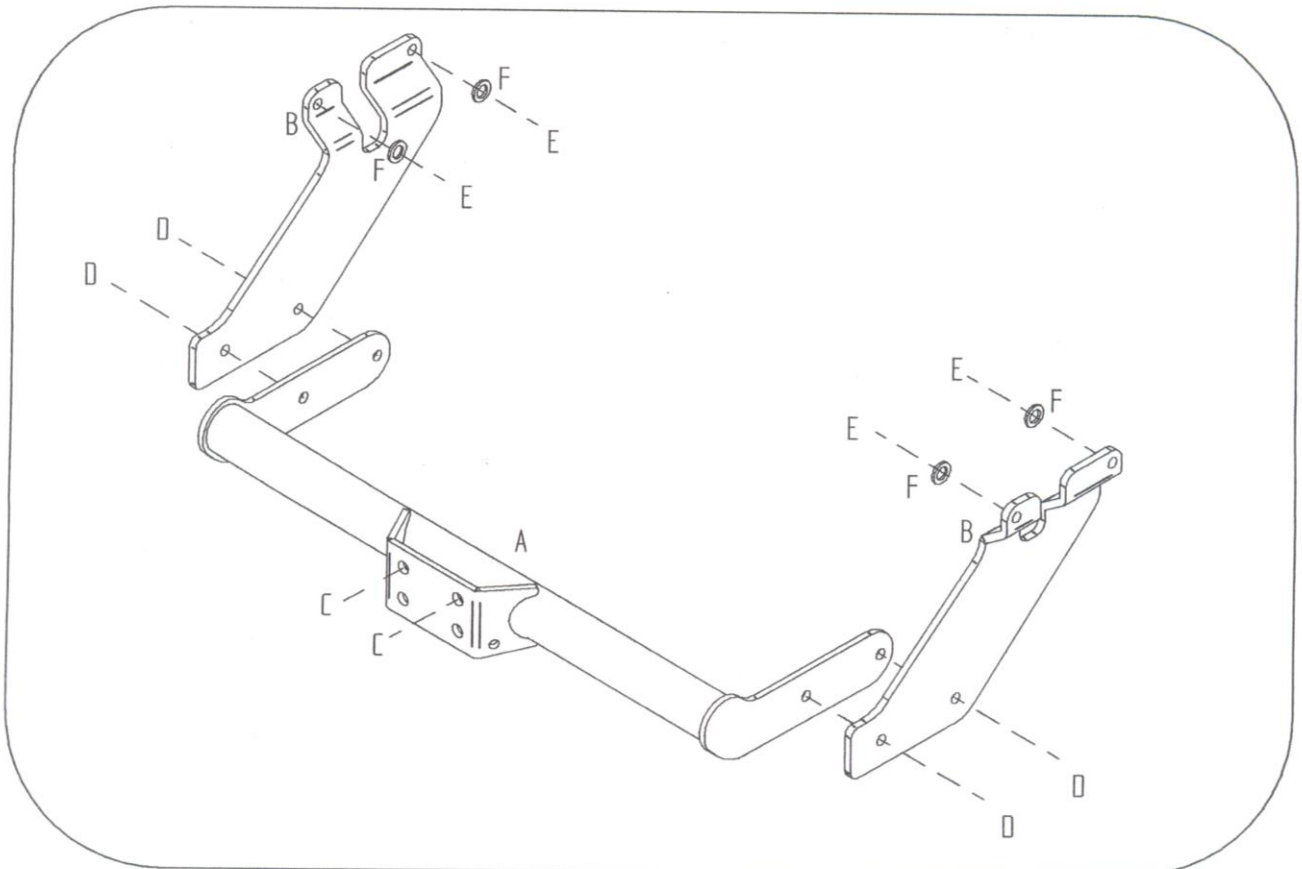


Issue 5

## TF166 FORD TRANSIT CONNECT 2002>

Item	Qty	Description	Item	Qty	Description
A	1	Crossmember	C	2	M16 x 50 Bolts Nuts & S/P Washers
B	2	Handed Side Arms	D	4	M12 x 35 Bolts Nuts & S/P Washers
			E	4	M12 x 50 Bolts Grade 10-9 & S/P Washers
			F	4	12 X 30 Flat Washers

1. Lower the spare wheel.
2. Using item E with item F loosely bolt item B to the existing threaded holes on the inside face of each chassis member.
3. Using item D bolt item A to item B.
4. Using item C bolt the ball bracket and wiring plate (not supplied in this kit) to the mounting plate.
5. Fully tighten all nuts and bolts and ensure the towbar is rigid and secure.
6. Raise the spare wheel back into place.



### Note:

1. Recommended Torque Setting for M12 Grade 10.9 -139 Nm. (For other Torque Settings see notes overleaf.)
2. Nose load limits and vehicle manufacturers trailer / caravan weight limits must be observed.