



TFD26VK (V769) Ford Transit Courier, E-Courier & Courier Tourneo, E-Tourneo, (Titanium & Active Models) 2024>

Item	Qty	Description	Item	Qty	Description	Torque Setting
A	1	TFD26 Crossbar	D	1	TTFP/LH Flip Up Socket Plate	
B1	1	Left Hand Side Arm	E	2	M12 x 22 Bolts & S/P Washers	100 Nm
B2	1	Right Hand Side Arm	F	2	M12 x 25 Bolts & S/P Washers	100 Nm
C	1	6#50 Detachable Swan Neck	G	6	M8 x 35 (10.9) Bolts & S/P Washers	40 Nm
			H	6	M12 x 35 Bolts, 4 Nyloc Nuts & 2 x S/P Washers	100 Nm
			J	6	8 x 25 (HD) Flat Washers	
			K	12	12 x 25 Flat Washers	
			L	2	12 x 30 Flat Washers	

Bumper Removal:

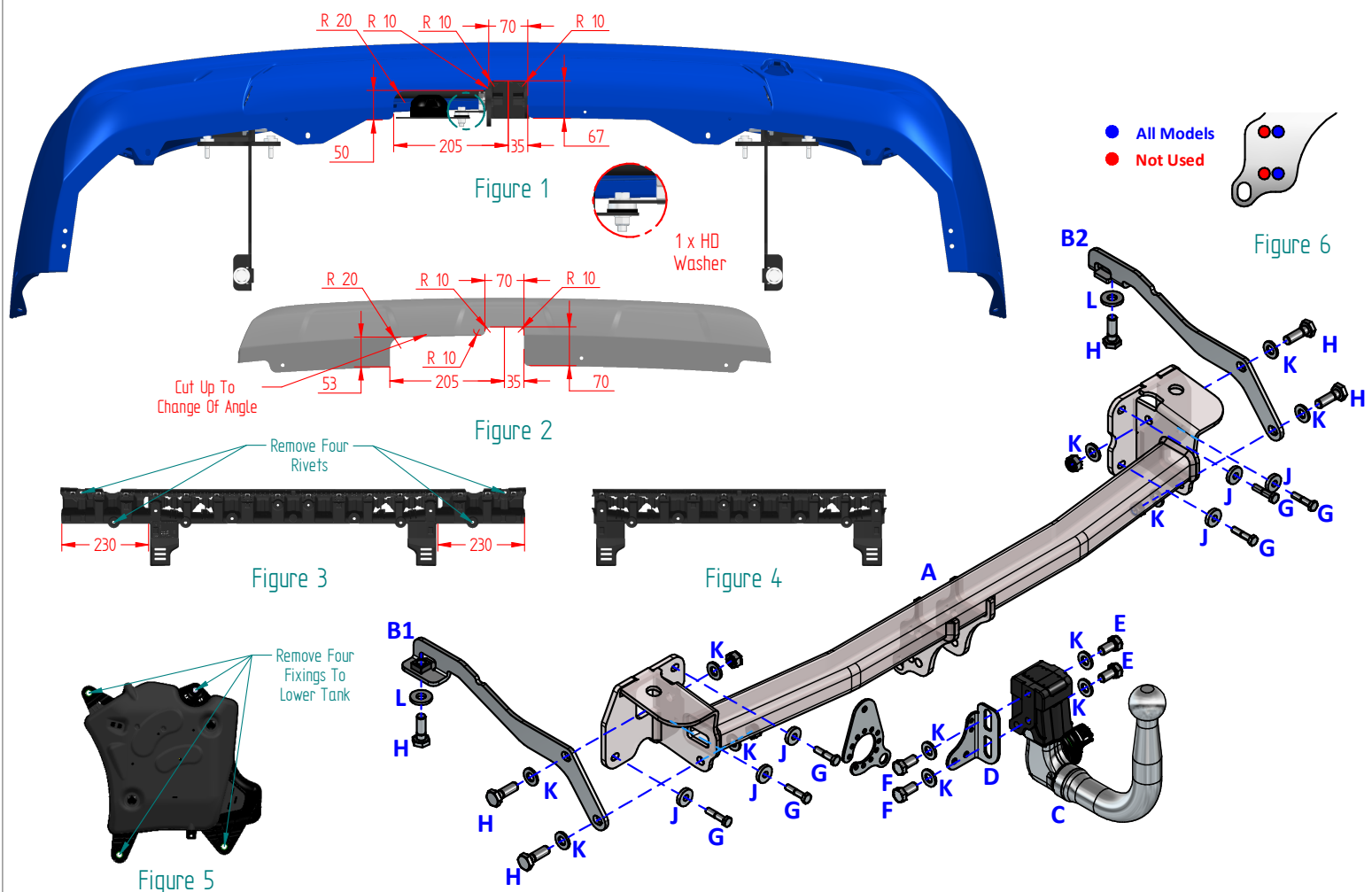
1. Open the rear tailgate or barn doors and remove the four fixings from the rear panel.
2. Remove the lower fixing from the wheel arch lining and the tip screw from each side.
3. Remove the two fixings from the lower bumper edge.
4. Unplug the wiring loom from the nearside, then pull the bumper out sideways and rearwards to remove.
5. Cut the bumper as shown in **Figure 1** for all bumpers & **Figure 2** for Active models with the additional exterior panel.
6. Remove the rear impact beam, six fixings.
7. If the vehicle has the three-piece plastic inner bumper support remove the two outer sections by drilling out the rivets and detaching them as shown in **Figures 3 & 4**. Models with a one-piece plastic inner bumper support, drill out the rivets and cut the ends off using **Figures 3 & 4** as a guide.

Ad-Blue Models Only:

1. Carefully lower the Ad-Blue tank from the nearside chassis rail via the four fixings show in **Figure 5** to gain access to the vertical mounting point for item **B1**.
Note: It may be necessary to temporarily release the filling pipes and wiring looms to enable the tank to be lowered. **Always ensure the tank is supported.**

Towbar Installation:

1. Loosely fix item **A** to the rear panel using items **G** with items **J**.
2. Loosely fix items **B1 & B2** inside each chassis rail using items **H** with items **L**.
3. Loosely fix items **B1 & B2** to item **A** using items **H** with items **K**.
4. Loosely fix item **C** with item **D** to item **A** to the correct position shown in **Figure 6** using items **E** with items **K** and **F** with items **K**.
5. Fully tighten all the fixings ensuring the Towbar is rigid, square and secure.
6. Refit the bumper and reconnect the wiring loom.



Notes:

1. Nose load limits and vehicle manufacturer's trailer / caravan weight limits must be observed.
2. We recommend the use of PRO-TOW Couplings with all our products.