



Tow-Trust Towbars

Important: Please read General Notes overleaf before fitting
Issue: 3



Fitting
Instruction

TLAN11VK Discovery Sport 5 & 7 Seater Vehicles WITH underslung spare wheel 2015> (Inc. 2019>)

Item	Qty	Description	Item	Qty	Description
A	1	TLAN11 Crossmember	D	1	TLAN11VK SOCKET PLATE
A1	1	Exhaust Hanger 2019>	E	8	M14 x 110 Bolts & S/P Washers
A2	2	Handed Exhaust Hangers 2015 - 2019	F	8	M12 x 40 (10.9) Bolts & S/P Washers
A3	2	Clamp Plates	G	4	M12 x 35 (10.9) Bolts & S/P Washers
B1	1	L/H Side Arm	H	2	M12 x 25 Bolts & S/P Washers
B2	1	R/H Side Arm	J	2	M12 x 25 Bolts & S/P Washers
C	1	6241 Detachable Neck	K	2	M8 x 40 Bolts & Nyloc Nuts
			L	4	M8 x 30 Bolts & Nyloc Nuts
			M	8	14 x 27 Flat Washers
			N	8	12 x 30 Flat Washers
			P	4	M12 Belleville Disk Spring Washers
			R	4	12 x 25 Flat Washers
			S	8	8 x 25 Flat Washers
			T1	8	25mm O/D x 65mm Long Spacer Tube
			Z	2	Original Bumper Brackets (From Impact Beam)
			Z1	4	Original Bumper Bracket Fixings
			PR	2	Small Plastic Rivets 2015 - 2019

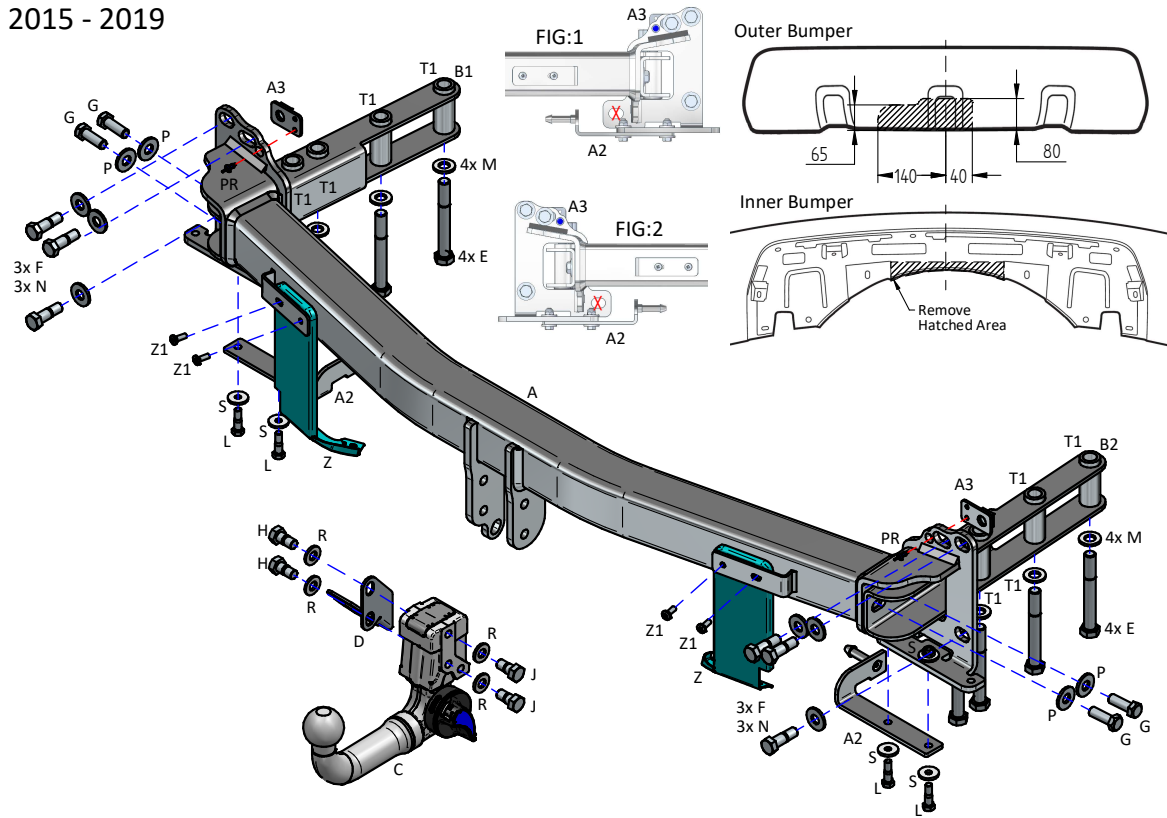
BUMPER REMOVAL:

1. Remove the rear light clusters, one fixing found inside the boot behind each removable side panel.
2. Remove the bumper central cover, two fixings on the lower edge & carefully release from the main bumper this will reveal (2015 – 2019 eight fixings) (2019> four fixings) to remove. Remove two fixings in each light cluster area, unclip wheel arch trim to reveal one fixing, remove two fixings from wheel arch liner. Unplug the bumper wiring loom from behind O/S inner wheel arch lining then carefully remove the rear bumper from the body.
3. Models with two exhaust silencers: Lower exhaust on N/S by removing the rubber off the impact beam, O/S remove exhaust bracket from impact beam two fixings, remove forward most hangers from vehicle body. Remove heat shields.
4. Models with single transverse exhaust silencer: Lower and support exhaust silencer by removing the rubbers off the rearmost and forward most hangers. Remove heat shield and under tray.
5. AdBlue Models: Lower exhaust silencer by removing the rubber off the impact beam and remove forward most hanger from vehicle body. Remove heat shield.
6. AdBlue Models: Remove tank protection cover three fixings, then lower & support Ad-Blue tank by removing the four fixings, two on the body and two on the crash beam.
7. If fitted remove the sensor from the rear impact, this gets fitted with its original fixings directly to the centre of the vehicle above the impact beam.
8. Remove the impact beam, six fixings (This is not refitted with the Towbar assembly). Remove bumper brackets from the impact beam (Item Z) and retain along with fixings (Item Z1).
9. Remove the Towing Eye mount from the O/S chassis. (This is not refitted with the Towbar assembly.)

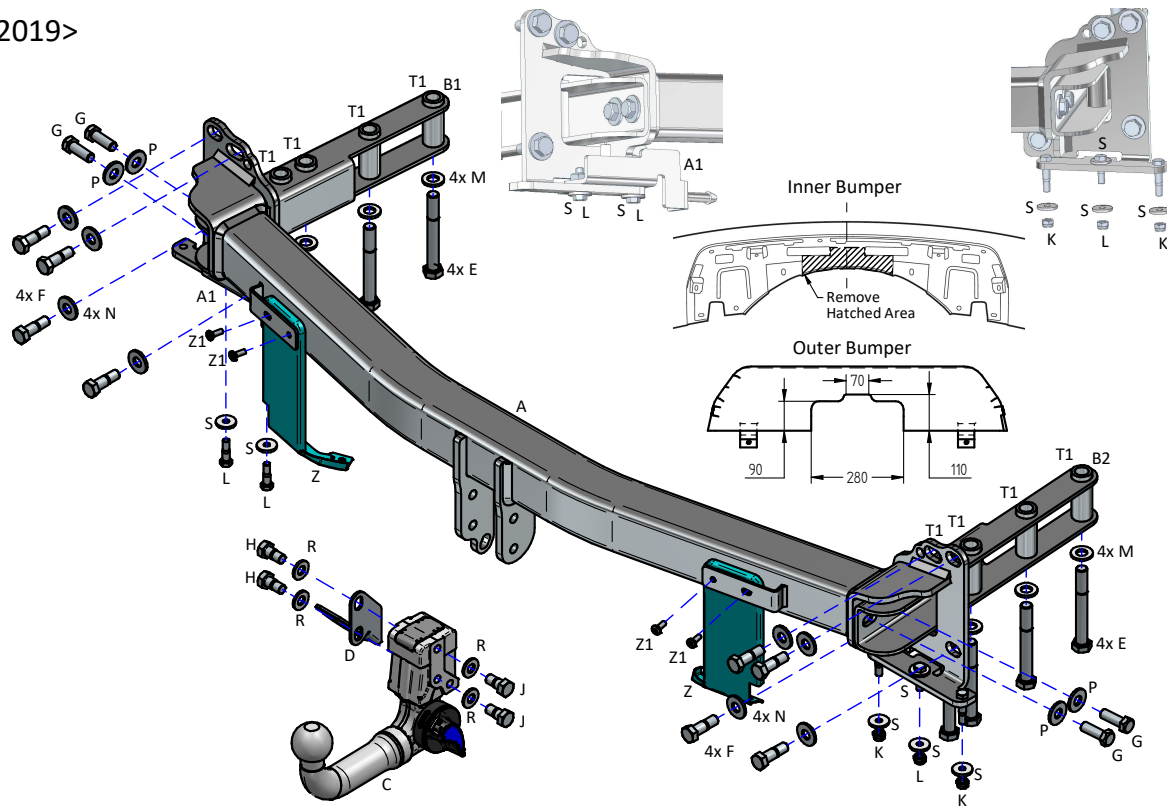
TOWBAR INSTALLATION:

1. **2015 – 2019 Vehicles:** Carefully insert Items A3 into the rear panel lining the M12 weld nut up with the large hole, retain in place using Item PR.
2. Place Item A against the rear panel and fix in place using Items F and Items N. (2015 – 2019 6x Fixings / 2019> 8x fixings)
3. Assemble each side arm (Items B1 & B2) by inserting Items T1 into each hole then insert into open ends of each chassis member loosely fixing in place with Items E and Items M.
4. Fix Items B1 & B2 to Item A using Items G with Items P.
5. Fix Items Z (original bumper brackets from impact beam) to Item A using original fixings (Items Z1).
6. Fix Item C and Item D to Item A using Items H with Items R and Item J with Item R.
7. Fully tighten all fixings ensuring the Towbar is rigid, square and secure.
8. Refit heat shields.
9. Cut the inner and outer bumper as per the sketch on page 2 and refit. (**Note: 2015 – 2019** May require the bumper inner exhaust surround trimming 40mm deep by the width of the surround)
10. 2015 – 2019 Models: Using Item L with Item S fix Items A2 to Item A.
11. 2019> AdBlue Models: Using Item K with Item S and Item L with Item S refit AdBlue tank to Item A.
12. 2019> Models: Using Item L with Item S fix Item A1 to Item A.
13. 2019> Models with two exhaust silencers: Using Item L with Item S fix Item A1 to Item A for the N/S exhaust hanger, Using Item K with Item S fix the original exhaust hanger from the impact beam to Item A for the O/S exhaust hanger.
14. Rehang Exhaust silencers.
15. Refit the rear bumper, light cluster

2015 - 2019



2019>



Notes:

1. For Torque settings see general notes overleaf.
2. Nose load limits and vehicle manufacturer's trailer / caravan weight limits must be observed.