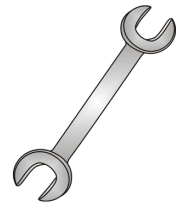




Tow-Trust Towbars

Important: Please read General Notes overleaf before fitting



Issue 1

TM16SN MERCEDES GLA

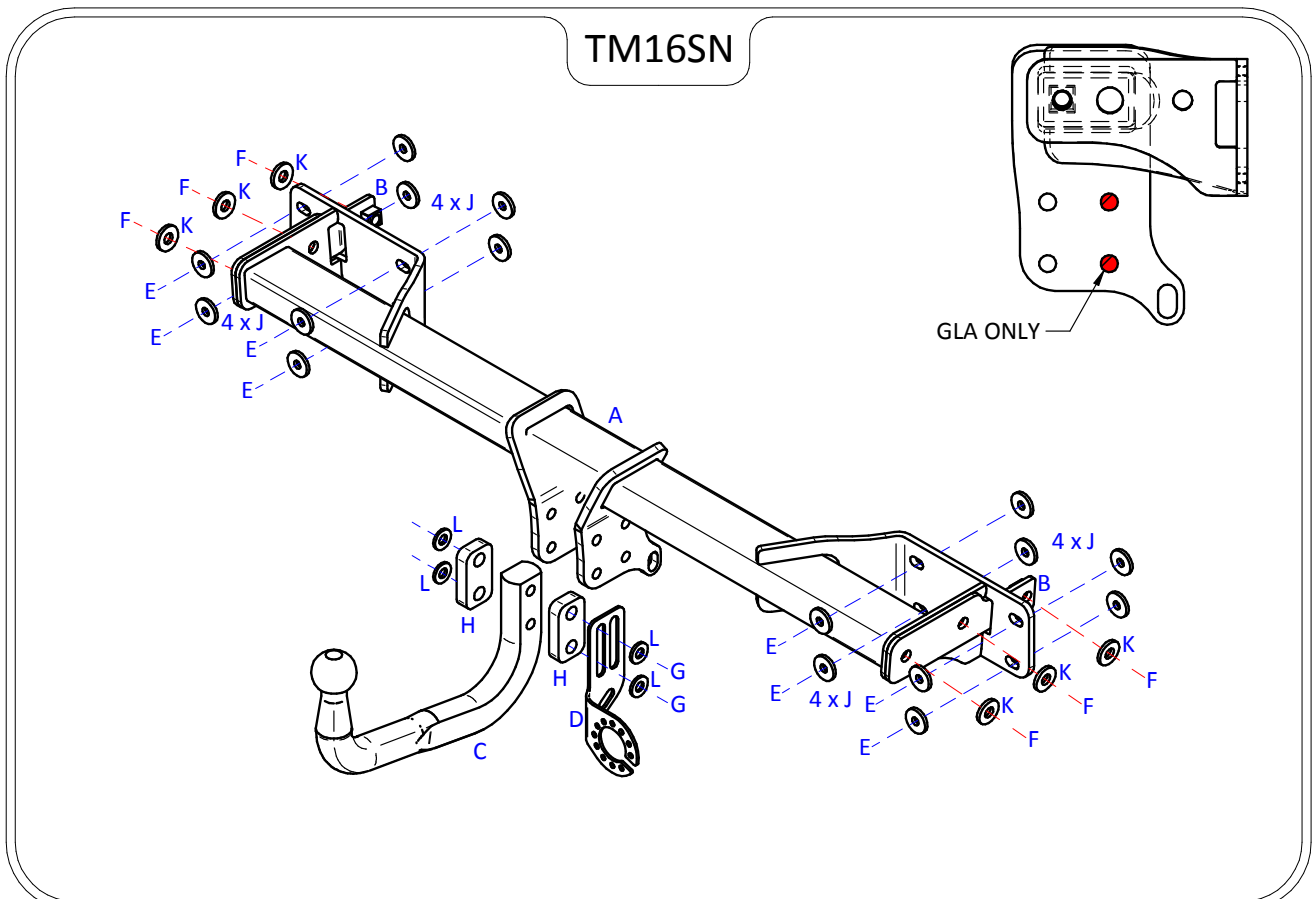
Item	Qty	Description	Item	Qty	Description
A	1	Crossmember	D	1	VASP8 L/H Socket Plate
B	2	Handed Side Arms	E	8	M10 x 35 (10.9) & Nyloc Nuts
C	1	ACS8 / 9208 Swan Neck	F	6	M12 x 35 Bolts, 2 Nuts & 6 S/P Washers
			G	2	M12 x 110 Grade 10.9 Bolts & Nyloc Nuts
			H	2	15mm Spacer Plates
			J	16	10 x 30 Flat Washers
			K	6	12 x 30 Flat Washers
			L	4	12 x 25 Flat Washers

BUMPER REMOVAL:

1. Remove the boot interior trim.
2. Remove the rear light clusters. Remove the rear bumper, carefully release wheel arch trim from vehicle body. Remove two fixings found in each wheel arch, one tip fixing either side, four fixings along lower edge, two fixings through the rear panel found inside the vehicle.
3. Carefully release bumper tips from the vehicle then pull bumper rearwards.
4. Unclip any necessary wiring looms.
5. Remove the rear impact beam from the rear panel. (Impact beam is not refitted with the Towbar assembly)

TOWBAR INSTALLATION:

1. Using Item E with Item J fix Item A to the rear panel. (Always ensure the original gaskets are between Item A and the rear panel, we also advise an adequate sealant to be added around the Towbar and rear panel joints to stop water ingress).
2. Insert Items B through the Towbar end plates and secure to the outside face of each chassis member with Items F and Items K.
3. Using Items F and Item K fix Items B to Item A.
4. Using Item G with Item L and Item H fix Item C and Item D to Item A.
5. Fully tighten all fixings ensuring the Towbar is rigid, square and secure.
6. Refit the rear bumper, light clusters and boot interior trim.



Note:

1. Recommended Torque Setting for M12 Grade 10.9 -139 Nm. (For other Torque Settings see notes overleaf.)
2. Nose load limits and vehicle manufacturers trailer / caravan weight limits must be observed.