



Tow-Trust Towbars

Important: Please read General Notes overleaf before fitting



Issue 3

TMIT2 CITROEN C4 AIRCROSS 2012> PEUGEOT 4008 2012> MITSUBISHI ASX 2010> ECLIPSE CROSS 2018>

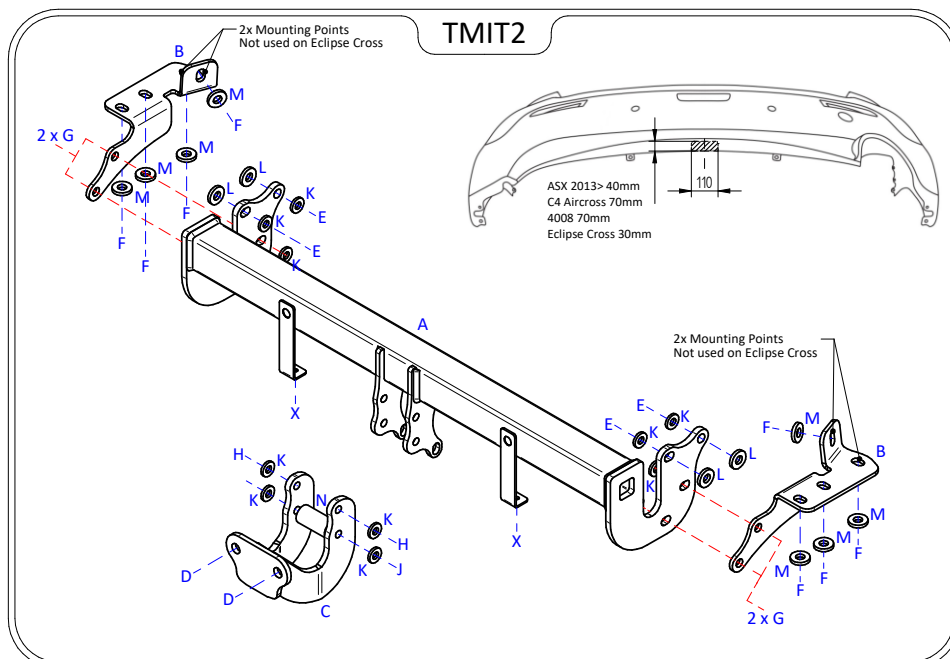
Item	Qty	Description	Item	Qty	Description
A	1	TMIT2 Crossmember	D	2	M16 x 50 Bolts & Nyloc Nuts
B	2	Handed Side Arms	E	4	M12 x 110 Bolts & Nyloc Nuts
C	1	Extension Bar	F	8	M10 x 30 x 1.25 Bolts & S/P Washers
			G	4	M12 x 40 Bolts & Nyloc Nuts
			H	2	M12 x 40 Bolts & Nyloc Nuts
			J	1	M12 x 120 (10.9) Bolt & Nyloc Nut
			K	12	12 x 25 Flat Washers
			L	4	12 x 30 Flat Washers
			M	8	10 x 30 Flat Washers
			N	1	30mm O/D x 60mm Long Spacer Tube
			X	2	Original Bumper Fixings

BUMPER REMOVAL (Eclipse Cross only)

1. Remove the rear light clusters, two fixings each side and pull rearward and up to release from the vehicle body.
2. Remove eight fixings from the boot shut area, four fixings from the lower edge of the bumper, three fixings from each wheel arch.
3. Release wheel arch trim to reveal two fixings each side.
4. Release the bumper from the vehicle bodywork disconnecting any necessary wiring looms.
5. Lower the rear exhaust silencer and support to prevent damage.
6. Fit the Towbar as below, when refitting the rear bumper first carefully place in line with the vehicle and mark the inner foam where it touches the Towbar on the O/S (60mm x 80mm) and cut foam out then refit bumper to vehicle.

TOWBAR INSTALLATION:

1. Remove the Towing eye from the N/S chassis member (This is NOT refitted with the Towbar assembly).
2. Remove the two central bumper fixings from the bumpers lower edge.
3. Remove the rear impact beam (This is NOT refitted with the Towbar assembly).
4. Cut the rear bumper as per the sketch below.
5. Insert Item A into the rear bumper and secure in place using Item E with Item K and Item L on the outside face of each chassis member.
6. Using Item F with Item M fit Items B to each chassis member.
7. Secure Items B to Item A using Items G with Items K.
8. Fit Item C to Item A using Item H with K and Item J with Item K ensuring Item N is fitted between the lower mounting point.
9. Using Item D fit your desired ball bracket and wiring plate (Not supplied in this kit) to Item C.
10. Fully tighten all fixings ensuring the Towbar is rigid, square and secure.
11. Using the original fixings (Item X) secure the bumper lower edge to Item A.



Note:

1. Recommended Torque Setting for M12 Grade 10.9 -130 Nm. (For other Torque Settings see notes overleaf.)
2. Nose load limits and vehicle manufacturers trailer / caravan weight limits must be observed.