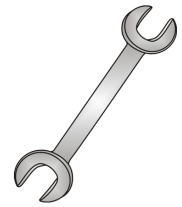




Tow-Trust Towbars

Important: Please read General Notes overleaf before fitting



Issue 2

TMZ8 MAZDA 3 HATCH 2014> / 6 SALOON & ESTATE 2013>

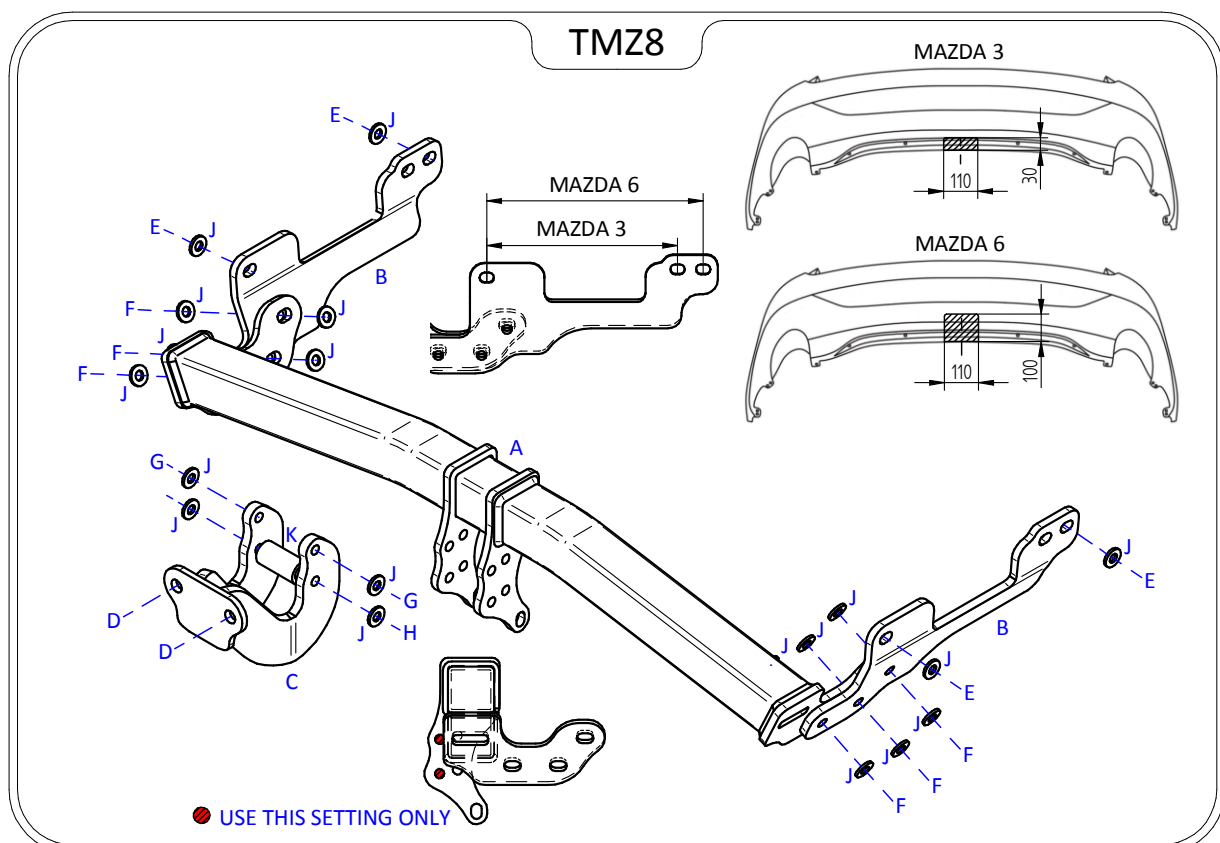
Item	Qty	Description	Item	Qty	Description
A	1	TMZ8 Crossmember	D	2	M16 x 50 Bolts & Nyloc Nuts
B	2	Handed Side Arms	E	4	M12 x 35 x 1.25 Bolts & S/P Washers
C	1	Extension	F	6	M12 x 45 Bolts & Nyloc Nuts
			G	2	M12 x 45 Bolts & Nyloc Nuts
			H	1	M12 x 130 (10.9) Bolt & Nyloc Nut
			J	20	12 x 25 Flat Washers
			K	1	30 O/D Spacer Tube 60mm Long

BUMPER REMOVAL:

1. Remove the rear light clusters (three fixings found inside the boot area).
2. Remove one fixing either side from beneath light clusters and one either side around boot opening.
3. Remove four fixings along the lower edge.
4. Mazda 3: Remove four fixings around each wheel arch and one tip fixing either side.
5. Mazda 6: Remove one fixing around each arch and one tip fixing either side.
6. Pull bumper rearwards and disconnect any necessary wiring looms.
7. Remove the rear exhaust silencer rubbers and support to prevent damage.
8. Loosen the rear impact beam to aid the install of Item A but do not remove fixings or beam.

TOWBAR INSTALLTION:

1. Using Item E with Item J fix the N/S ONLY side arm (Item B) to the captive mounting points found on the outside face of the chassis member. Do NOT fit both side arms at the stage.
2. Insert Item A behind the rear impact beam and fix to the N/S side arm using Item F with Item J.
3. Using Item E with Item J fix the O/S side arm (Item B) to the captive mounting points found on the outside face of the chassis member.
4. Using Item F with Item J fix Item B to Item A.
5. Square the Towbar to the vehicle and push as far forward as possible giving as much clearance between Item A and rear impact beam before fully tightening ensuring the Towbar is rigid, square and secure.
6. Using Item G with Item J and Item H with Item J fix Item C to Item A ensuring Item K is fitted between the lower mounting point.
7. Using Item D fix your desired ball bracket and wiring plate (Not supplied in this kit) to Item C.
8. Fully tighten all remaining fixings including the rear impact beam to the rear panel.
9. Rehang the exhaust silencer, Cut the rear bumper and refit along with the rear light clusters.



Note:

1. Recommended Torque Setting for M12 Grade 10.9 -139 Nm. (For other Torque Settings see notes overleaf.)
2. Nose load limits and vehicle manufacturers trailer / caravan weight limits must be observed.