



Tow-Trust Towbars

Important: Please read General Notes overleaf before fitting



Issue 5

TN12VK NISSAN QASHQAI J10 2007 – 2014 / J11 2014>

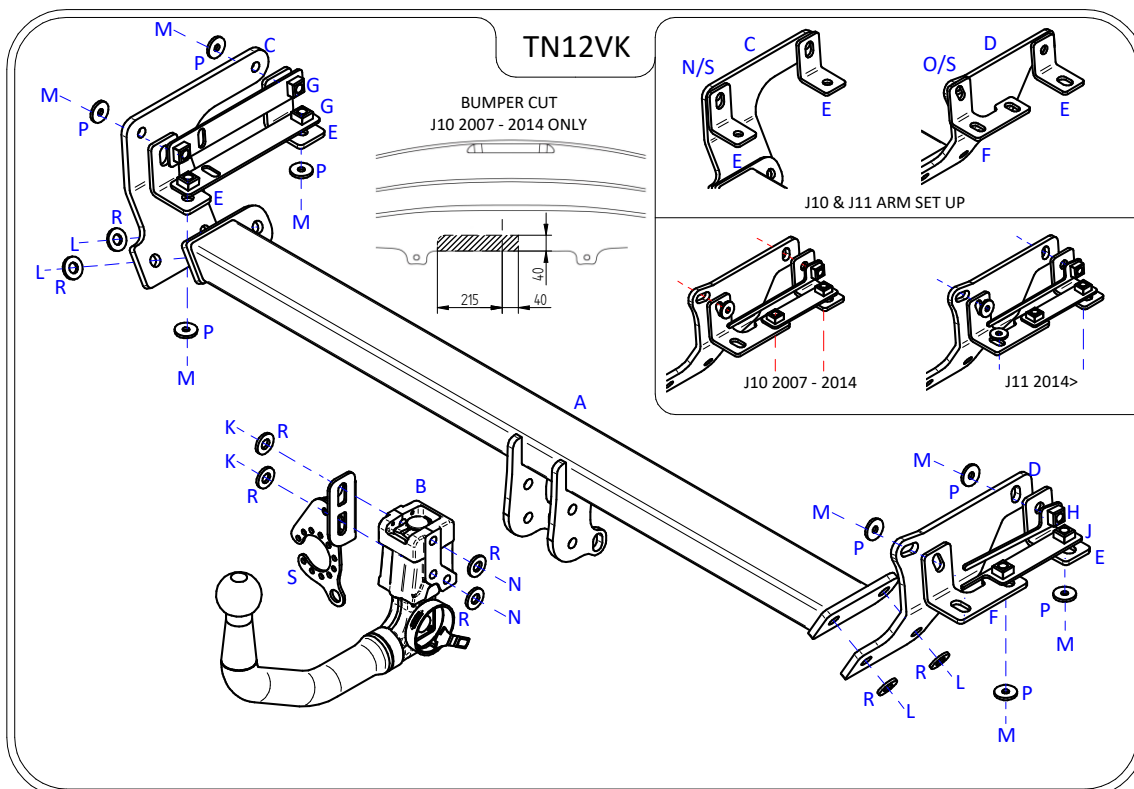
| Item | Qty | Description | Item | Qty | Description |
|------|-----|-----------------------|------|-----|--|
| A | 1 | Crossmember | K | 2 | M12 x 25 Bolts & S/P Washers |
| B | 1 | 6208 Detachable Neck | L | 4 | M12 x 35 Bolts, 2 Nuts & S/P Washers |
| C | 1 | N/S Side Arm | M | 8 | M10 x 40 Bolts, 2 Nuts & 8 S/P Washers |
| D | 1 | O/S Side Arm | N | 2 | M12 x 22 Bolts & S/P Washers |
| E | 3 | Small Angle Brackets | P | 10 | 10 x 25 Flat Washers |
| F | 1 | Large Angle Bracket | R | 8 | 12 x 25 Flat Washers |
| G | 2 | N/S Clamp Plates | S | 1 | Flip Up Socket Plate (TTFP/LH) |
| H | 1 | O/S Side Clamp Plate | | | |
| J | 1 | O/S Lower Clamp Plate | | | |

BUMPER REMOVAL:

1. Open the tailgate and remove the two fixings either side of the boot opening, remove six fixings from the lower edge, one fixing from each bumper tip and unclip wheel arch trim.
2. Unclip the wiring loom and pull bumper rearwards to detach from the vehicle mounting clips.
3. Temporarily remove the rear impact beam / chassis end caps.

TOWBAR INSTALLATION:

1. Insert Items G into the N/S Chassis and Item H and Item J into the O/S Chassis.
2. Using Item M and Item P bolt Item E to the N/S Chassis LOWER face only.
3. Using Item M and Item P bolt Item E and Item F to the O/S Chassis LOWER face only.
4. Using Item M and Item P bolt Item C to the N/S Chassis side face sandwiching Item E.
5. Using Item M and Item P bolt Item D to the O/S Chassis side face sandwiching Item E and Item F.
6. Using Item L with Item R bolt Item A between each side arm (Item C and Item D).
7. Using Item N with Item R and Item K with Item R bolt Item B and Item S to Item A.
8. Fully tighten all nuts and bolts ensuring the Towbar is rigid, square and secure.
9. J10 ONLY: Cut the rear bumper as per the sketch below.
10. Refit rear impact beam / chassis end caps.
11. Refit rear bumper.



Note:

1. Torque Settings see notes overleaf.
2. Nose load limits and vehicle manufacturers trailer / caravan weight limits must be observed.