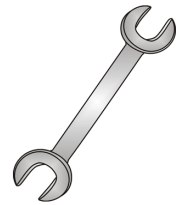




Tow-Trust Towbars

Important: Please read General Notes overleaf before fitting



Issue 1

TN14SN NISSAN QASHQAI 2018 (Inc. AdBlue)

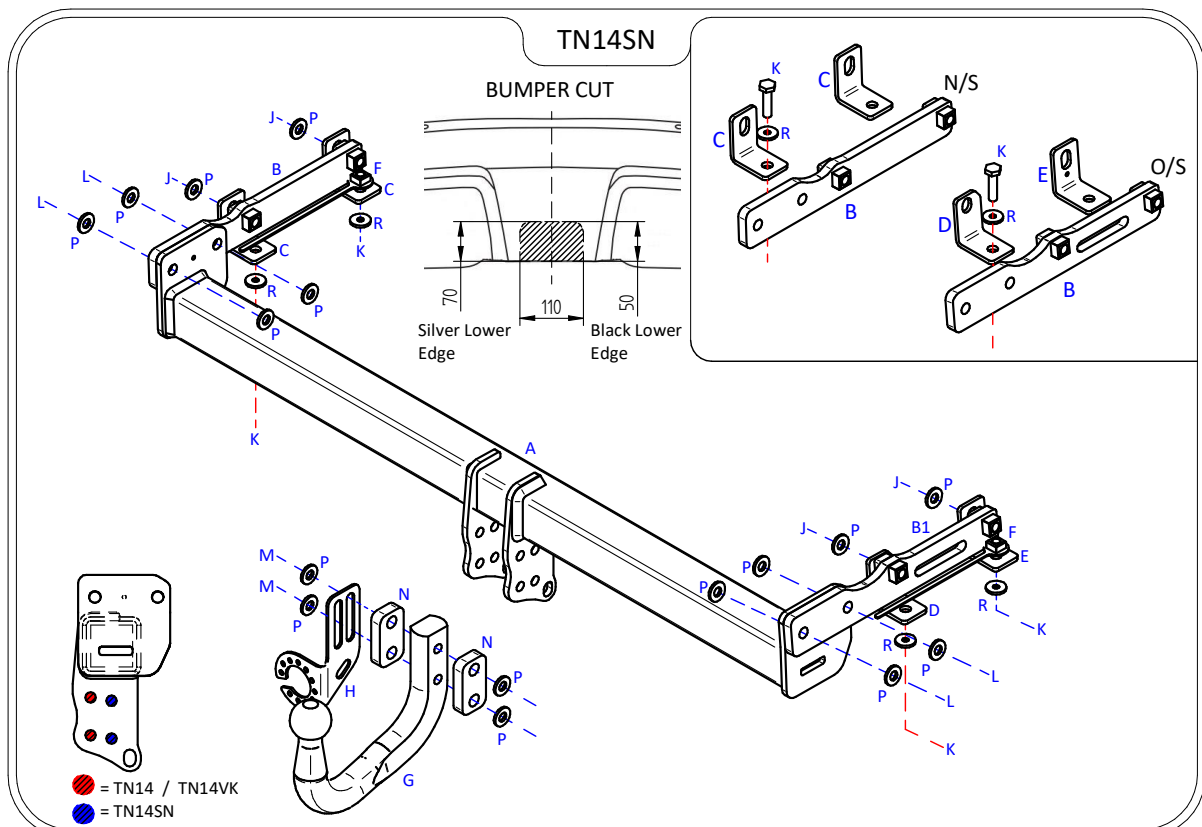
Item	Qty	Description	Item	Qty	Description
A	1	TN14 Crossmember	H	1	VASP8 R/H Socket Plate
B	1	L/H Side Arm	J	4	M12 x 50 Bolts & S/P Washers
B1	1	R/H Side Arm	K	4	M10 x 30 Bolts, 2 Nuts & 4 S/P Washers
C	2	L/H Angle Brackets	L	4	M12 x 45 Bolts and Nyloc Nuts
D	1	R/H Rear Angle Bracket	M	2	M12 x 110 Grade 10.9 Bolts & Nyloc Nuts
E	1	R/H Forward Angle Bracket	N	2	15mm Spacer Plates
F	2	M10 Clamp Plates	P	16	12 x 25 Flat Washers
G	1	ACS9 / 9209 Swan Neck	R	6	10 x 30 Flat Washers
			S	10	8 x 25 Flat Washers

BUMPER REMOVAL:

- AdBlue ONLY:** Support the AdBlue tank and remove three fixings to lower.
- Remove rear bumper, open the rear tailgate and remove 2 fixings either side of the boot opening, six fixings along the bumper lower edge. Peel back wheel arch trim to reveal one tip fixing either side to remove. Carefully release the bumper from the vehicle body unplugging any necessary wiring looms.
- Remove the rear impact beam and polystyrene from the rear panel, these are not refitted with the Towbar assembly. Refit the fixings into the rear panel with Item S to prevent water ingress.

TOWBAR INSTALLATION:

- Using Item K with Item R fix Items C to the nearside chassis mounting points only using Item F at the forward most point.
- Using Item K with Item R fix Item D to the offside rearmost lower mounting point.
- Using Item K, Item R and Item F fix Item E to the offside forward lower mounting point.
- Using Item J with Item P fix Item B to the nearside chassis.
- Using Item J with Item P fix Item B1 to the offside chassis.
- Using Item L with Item P fix Item A between each side arm.
- Fix Item G and Item H to Item A using Item M with Item P and Item N.
- Fully tighten all fixings ensuring the Towbar is rigid, square and secure.
- Cut the rear bumper as per the sketch below and refit.
- AdBlue ONLY:** Rehang the AdBlue tank.



Note:

- Torque Settings see notes overleaf.
- Nose load limits and vehicle manufacturers trailer / caravan weight limits must be observed.