

## TNIS3VK Nissan Qashqai 2021>

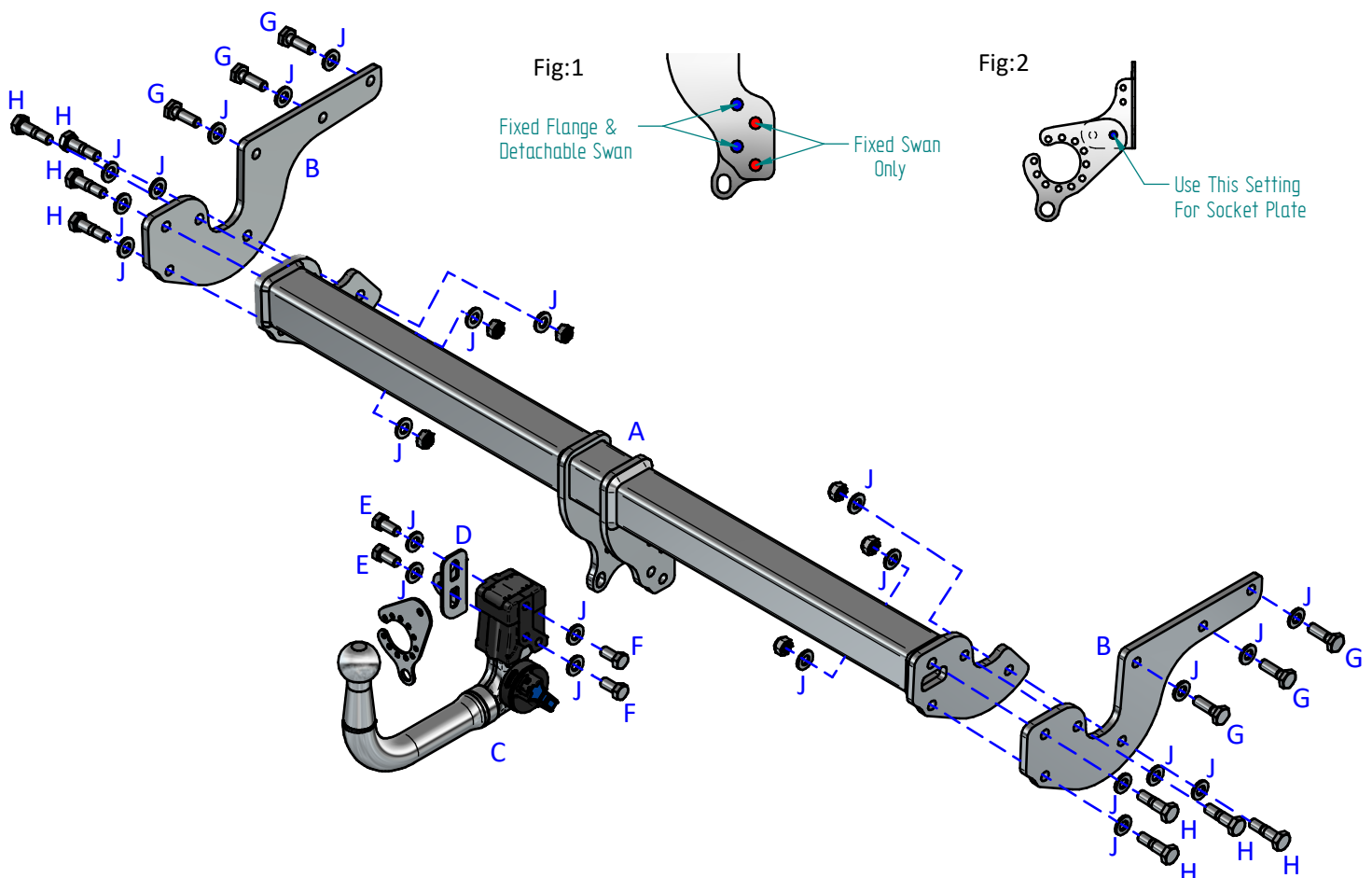
Item	Qty	Description	Item	Qty	Description
A	1	TNIS3 Crossbar	D	1	Flip Up Socket Plate (TTFP/LH)
B	2	Side Arm	E	2	M12 x 25 Bolts & S/P Washers
C	1	6209 Detachable Neck	F	2	M12 x 25 Bolts & S/P Washers
			G	6	M12 x 35 x 1.25 Bolts & S/P Washers
			H	8	M12 x 45 Bolts, 2 S/P Washers & 6 Nyloc Nuts
			J	24	12 x 25 Flat Washers

### Bumper Removal

1. Open tailgate and remove two fixings each side of the boot opening.
2. Peel back arch liner to access wheel arch trim clips, then release the trim from the body/bumper and remove the tip screw from each side.
3. Remove the four fixings from the bumper lower edge.
4. Unplug the wiring looms from the offside corner then release the wiring looms from the body.
5. Release the bumper by pulling out sideways then rearwards.
6. Remove the rear impact beam, five fixings each side (this is not refitted with the towbar assembly), then replace the fixings to prevent water ingress.

### Towbar Installation.

1. Using Items **G** with Items **J** fix Items **B** to each chassis member.
2. Fix Item **A** to Items **B** using Items **H** with Items **J**.
3. Fix Item **C** and Item **D** to item **A** using Items **E** with Items **J** and Items **F** with Items **J** to the correct position (Fig:1 & Fig:2).
4. Fully tighten all fixings ensuring the Towbar is ridged, square and secure.
5. Refit the bumper.



### Notes:

1. For Torque settings see general notes overleaf.
2. Nose load limits and vehicle manufacturer's trailer / caravan weight limits must be observed