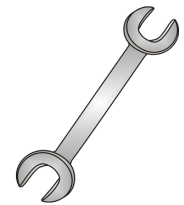




# Tow-Trust Towbars

Important: Please read General Notes overleaf before fitting

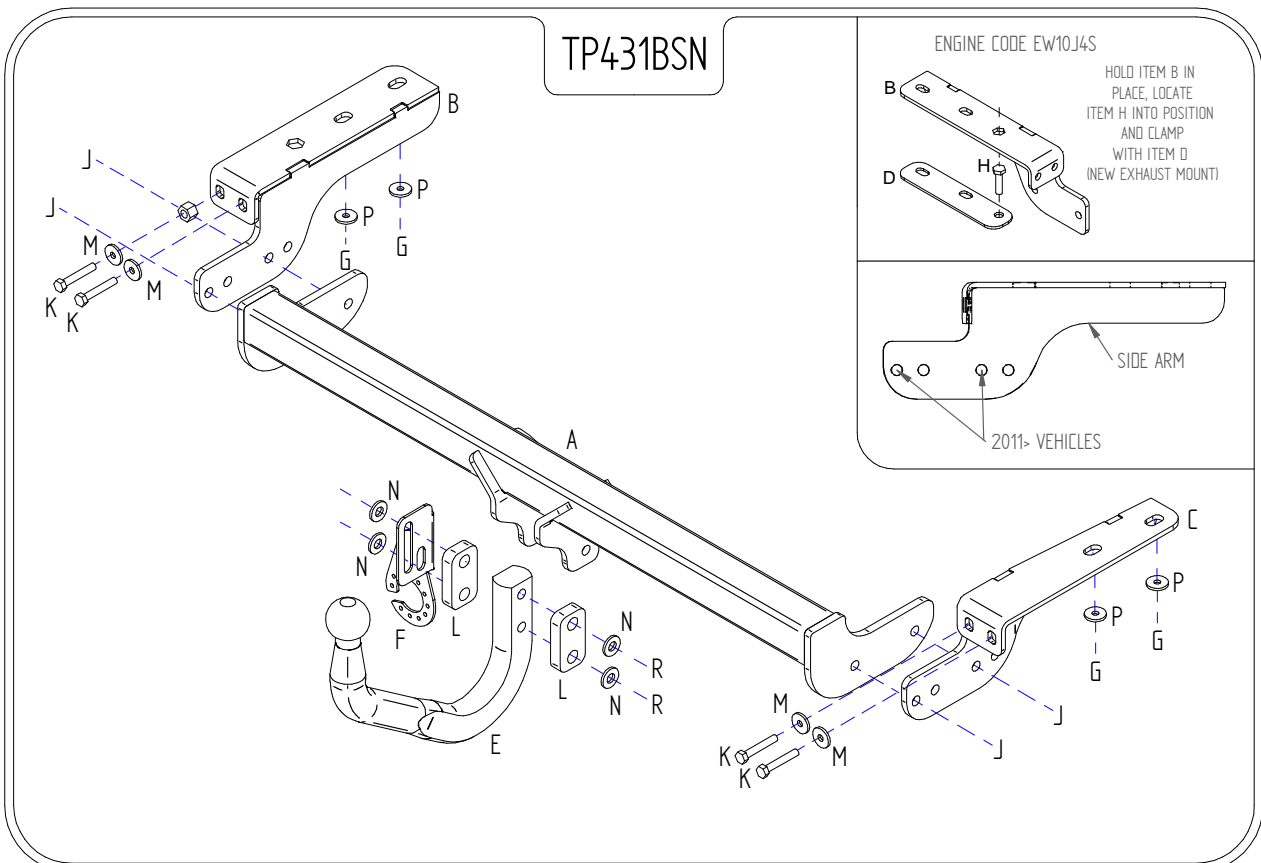


Issue 1

## TP431BSN Peugeot 307 2001–2008 / Peugeot 308 2007> Citroen C4 Coupe & Hatch 2004-2011 / Citroen C4 Hatch & DS4 2011>

Item	Qty	Description	Item	Qty	Description
A	1	Crossmember	F	1	VASP8 L/H Socket Plate
B	1	L/H Side Arm	G	4	M10 Nyloc Nuts
C	1	R/H Side Arm	H	1	M10 x 25 Bolts, Nuts & S/P Washers
D	1	Clamp Plate	J	4	M10 x 35 Bolts, Nuts & S/P Washers
E	1	ACS6 / 9206 Swan Neck	K	4	M8 x 50 Bolts, 5 Nuts & S/P Washers
			L	2	15mm Spacer Plates
			M	8	8 x 25 Flat Washers
			N	4	12 x 25 Flat Washers
			P	4	10 x 25 Flat Washers
			R	2	M12 x 110 Grade 10.9 Bolts & Nyloc Nuts

- Temporarily disconnect the fixing from the underside of the bumper (C4 Coupe and 308 will require undertray to be removed, and trimmed to suit Towbar. Citroen C4 2012> 90 WIDE x 40 DEEP).
- Temporarily lower the exhaust from its rearmost hangers.
- Remove the lashing eyes (if fitted – these are not refitted with the towbar).
- Remove and replace the original M8 fixings through the rear valance with **Item K** and **Item M**.  
**Note:** The nearside fixing may not be in place, so use the extra nut provided to fix **Item K** in place, **AND FULLY TIGHTEN**.
- Locate **Item B** onto **Item K** and existing studs on nearside chassis fixing in place with **Item P** and **Item G**.
- Locate **Item C** onto **Item K** and existing studs on offside chassis fixing in place with **Item P** and **Item G**.
- Using **Item R** with **Item N** and **Item L** bolt **Item F** and **Item E** to **Item A**, **AND FULLY TIGHTEN**.
- Using **Item J**, bolt **Item A** in between **Item B** and **Item C**.
- Fully tighten all nuts and bolts, and ensure the towbar is rigid and secure.
- Re-hang the exhaust.
- Note:** For engine code EW10J4S, **Item D** and **Item H** are required to re-hang the exhausts (see sketch).
- Refit undertray on C4 Coupe, if fitted, and central bumper fixing.



**Note:**

- Recommended Torque Setting for M12 Grade 10.9 -139 Nm. (For other Torque Settings see notes overleaf.)
- Nose load limits and vehicle manufacturer's trailer / caravan weight limits must be observed.