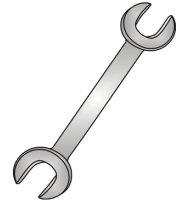




Tow-Trust Towbars

Important: Please read General Notes overleaf before fitting

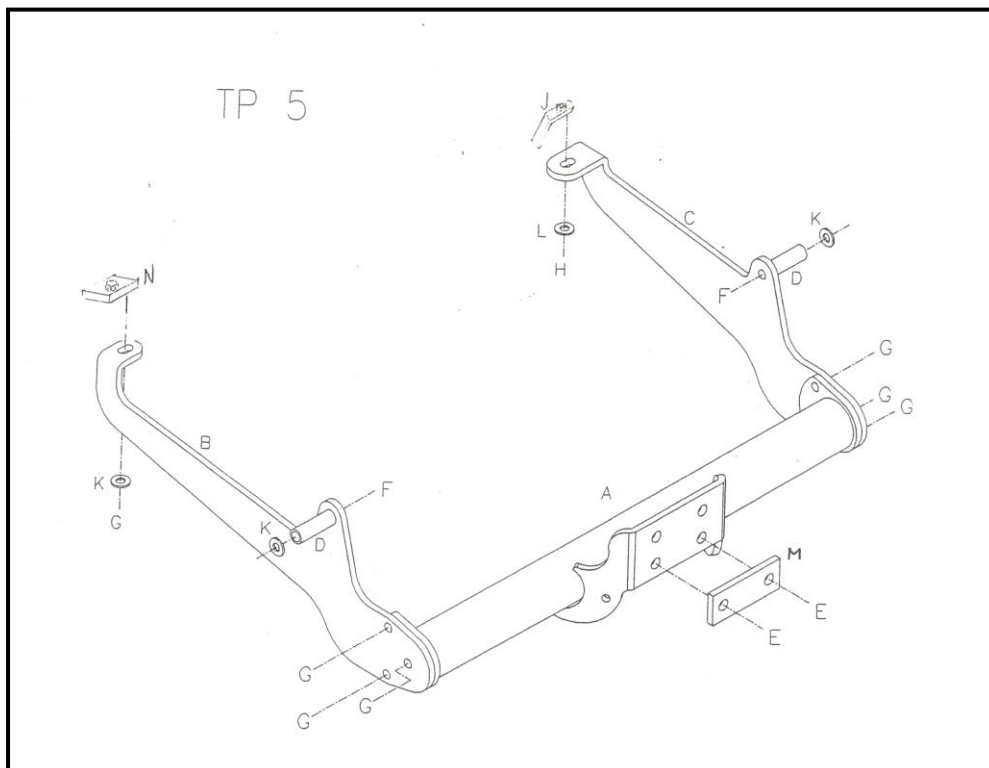


Issue 6

TP5 Fiat Scudo / Citroen Dispatch / Peugeot Expert 2007> / Toyota Pro Ace Van 2013>

Item	Qty	Description	Item	Qty	Description
A	1	Crossmember	E	2	M16 x 50 Bolts Nuts & S/P Washers
B	1	L/H Side Arm	F	2	M12 x 110 Bolts & Nyloc Nuts
C	1	R/H Side Arm	G	7	M12 x 40 Bolts 4 Nuts & 7 S/P Washers
D	2	22 x 67 Spacer Bushes	H	1	M10 x 40 Bolt & S/P Washer
			J	1	Captive Clamp Plate M10
			K	3	12 x 40 Flat Washers
			L	1	10 x 30 Flat Washers
			M	1	Coupling Spacer
			N	1	Captive Clamp Plate M12

1. Lower spare wheel and unclip carrier.
2. Using item **F** with item **K** loosely bolt item **B** and item **C** to the inside face of each chassis member. Locate item **D** into each existing hole on the outer face of each chassis member.
3. Using item **G** with item **K** and item **N** bolt the left hand side arm (item **B**) to the existing forward hole in the bottom face of the forward crossmember.
4. Locate item **J** through the rectangular hole in the bottom face of the right hand chassis and using item **H** with item **L** bolt item **C** into place at the forward hole.
5. Using item **G** bolt item **A** to item **B** and item **C**.
6. Using item **E** bolt the ball bracket and wiring plate (not supplied in this kit) to the mounting plate. Note: A coupling spacer is supplied if required.
7. Fully tighten all nuts and bolts and ensure the towbar is rigid and secure.
8. Replace spare wheel.



Note: nose load limits and vehicle manufacturers trailer / caravan weight limits must be observed