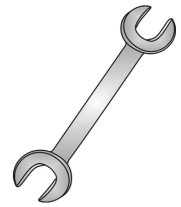




Tow-Trust Towbars

Important: Please read General Notes overleaf before fitting



Issue 1

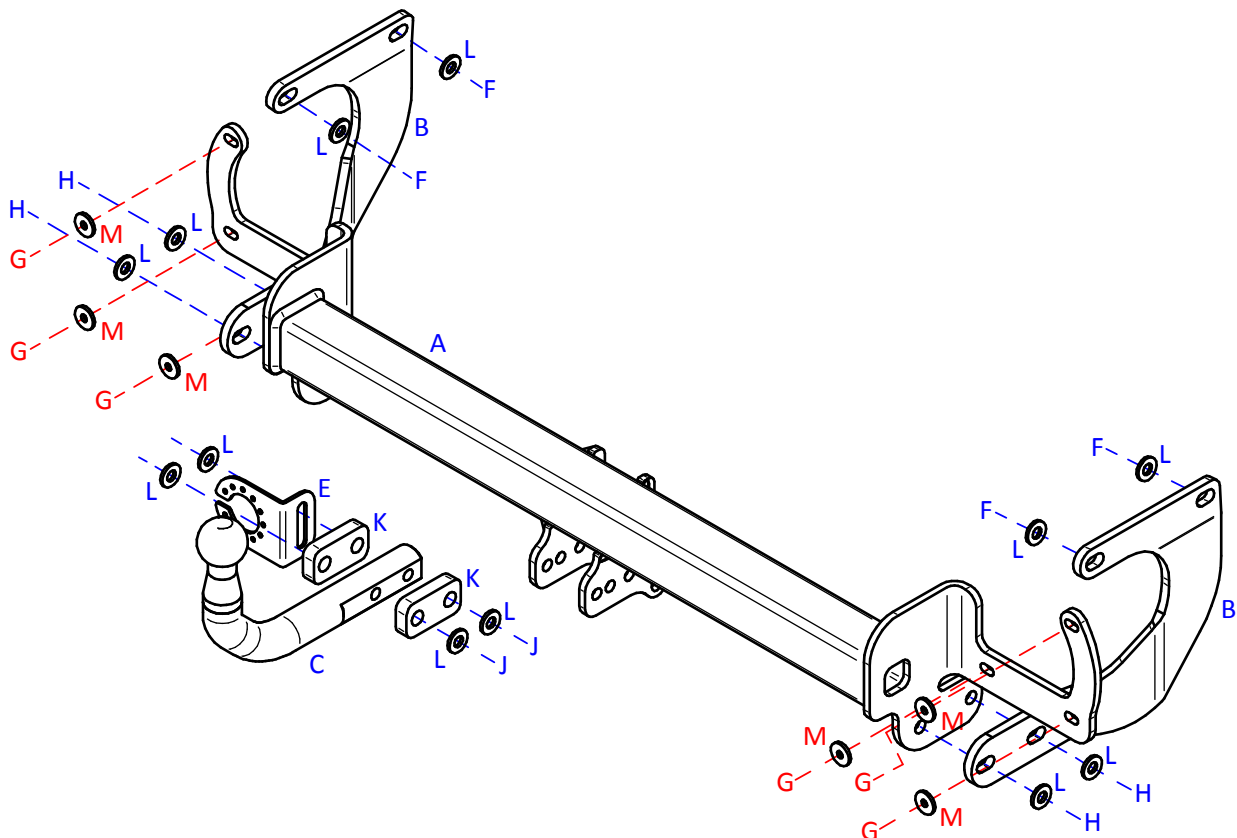
TPUG12SN CITROEN DISPATCH / SPACE TOURER PEUGEOT EXPERT / TRAVELLER TOYOTA PROACE 2016>

Item	Qty	Description	Item	Qty	Description
A	1	TPUG12 Crossmember	E	1	Socket Plate 1
B	2	Handed Side Arms	F	4	M12 x 45 Bolts (10.9) & S/P Washers
C	1	6004SN / 9101 Swan Neck	G	6	M8 x 35 (10.9) Bolts & S/P Washers
			H	4	M12 x 40 Bolts & Nyloc Nuts
			J	2	M12 x 110 Grade 10.9 Bolts & Nyloc Nuts
			K	2	15mm Spacer Plates
			L	12	12 x 25 Flat Washers
			M	6	8 x 25 H/D Flat Washers

TOWBAR INSTALLATION:

1. Remove the two fixings from the lower edge of the rear bumper.
2. Remove three fixings either side (two outer and one lower inner) securing the rear impact beam to the back panel.
3. Using Item **G** with item **M** fix item **A** to the rear panel.
4. Using Item **F** with Item **L** fix Items **B** to the inside face of each chassis.
5. Fix Items **B** to Item **A** using Item **H** with Item **L**.
6. Using Item **J** with Item **L** and Item **K** fix Item **C** and Item **E** to Item **A**.
7. Fully tighten all fixings ensuring the Towbar is rigid, square and secure.
8. Refit the fixings into the bumpers lower edge.

TPUG12SN



Note:

1. Recommended Torque Setting for M12 Grade 10.9 -139 Nm. (For other Torque Settings see notes overleaf.)
2. Nose load limits and vehicle manufacturers trailer / caravan weight limits must be observed.