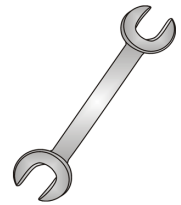




# Tow-Trust Towbars

Important: Please read General Notes overleaf before fitting



Issue 1

## TREN15SN RENAULT KADJAR 2015>

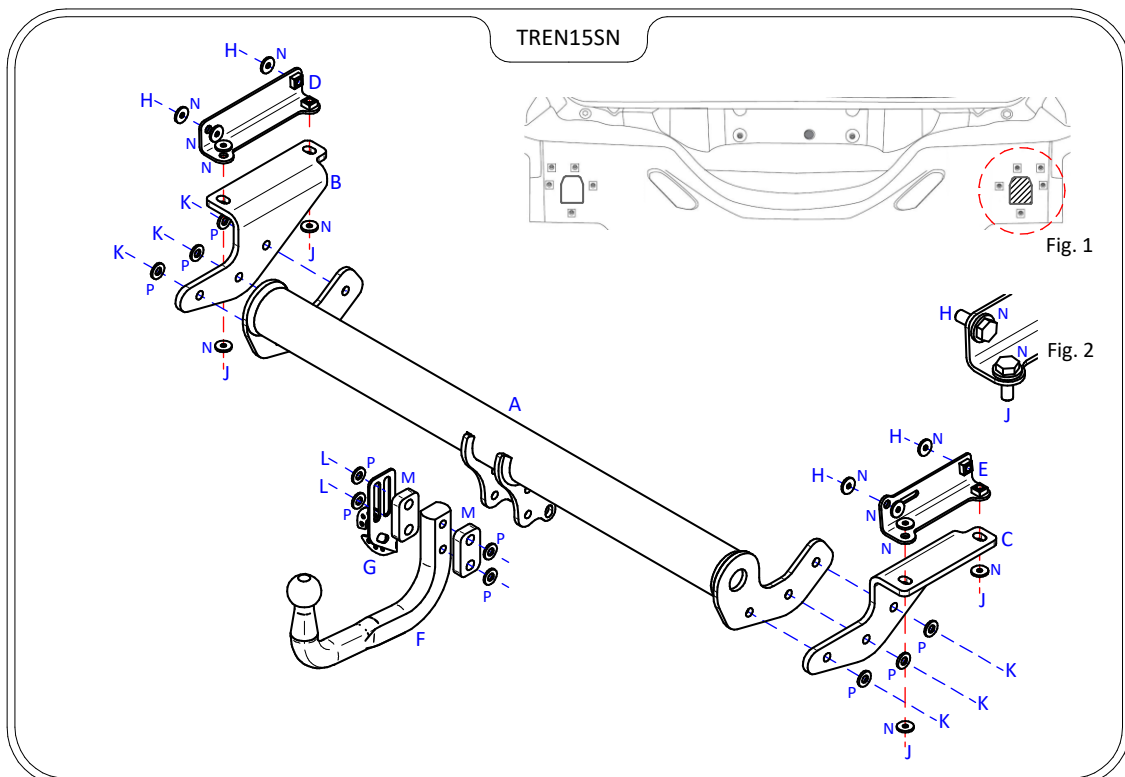
Item	Qty	Description	Item	Qty	Description
A	1	TREN15 Crossmember	G	1	VASP8 L/H Socket Plate
B	1	L/H Side Arm	H	4	M10 x 30 (10.9) Bolts, 2 Nuts & 4 S/P Washers
C	1	R/H Side Arm	J	4	M10 x 40 (10.9) Bolts, 2 Nuts & 4 S/P Washers
D	1	L/H Clamp Plate	K	6	M12 x 40 Bolts & Nyloc Nuts
E	1	R/H Clamp Plate	L	2	M12 x 110 Grade 10.9 Bolts & Nyloc Nuts
F	1	ACS5 / 9205 Swan Neck	M	2	15mm Spacer Plates
			N	12	10 x 25 Flat Washers
			P	10	12 x 25 Flat Washers

### BUMPER REMOVAL:

1. Remove the rear light clusters, one fixing found behind each internal side panel and 2 fixings either side of the boot shut area.
2. Remove the rear bumper, seven fixings from the lower edge, three fixings from each wheel arch, carefully release the wheel arch trim from the bodywork, two fixings either side of the boot shut area, remove the number plate to reveal the remaining two fixings to remove. Be very careful when removing the rear bumper as body attachment clips are very fragile.
3. Remove the rear impact beam. (retain fixings as this assembly will be refitted with the Towbar)
4. Remove and discard the central off set bumper bracket from the vehicle.

### TOWBAR INSTALLATION:

1. Locate the Towbar mounting points and clear of any mastic.
2. Open up the R/H chassis end to accept Item E (SEE Fig: 1) paint with an anti-corrosion paint.
3. Insert Item D into the L/H chassis and Item E into the R/H chassis and assemble Items H and N and Items J and N at the rearmost point only (SEE Fig: 2)
4. Using Item H with Item N fix Item D and Item E at the forward point.
5. Using Items J with Items N fix Item B and Item C to each chassis member.
6. Using Items K with Item P fix Item A between each side arm.
7. Using Item L with Item P and Item M fix Item F and Item G to Item A.
8. Fully tighten all fixings ensuring the Towbar is rigid, square and secure.
9. Refit the rear impact beam.
10. Refit the rear bumper and light clusters.



### Note:

1. Torque Settings see notes overleaf.
2. Nose load limits and vehicle manufacturers trailer / caravan weight limits must be observed.