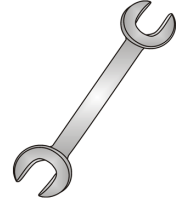




Tow-Trust Towbars

Important: Please read General Notes overleaf before fitting

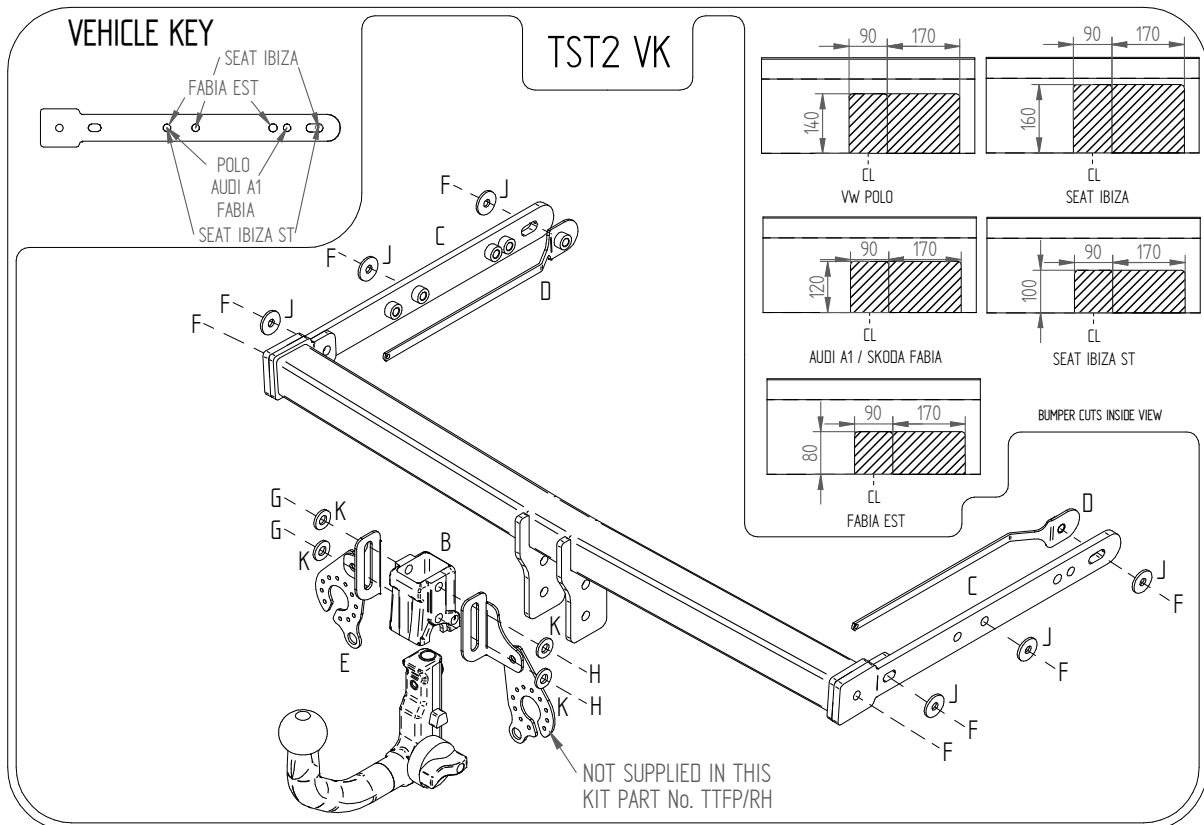


Issue 7

**TST2VK AUDI A1 2010> AUDI A1 SPORTBACK 2012>
SEAT IBIZA HATCH 2008> SEAT IBIZA ST 2010>
VOLKSWAGEN POLO 2009> SKODA FABIA 2 HATCH 2007>
SKODA FABIA 2 ESTATE 2008>**

Item	Qty	Description	Item	Qty	Description
A	1	Crossbar	E	1	Flip Up Socket Plate
B	1	Detachable Housing	F	8	M10 x 40 Bolts 2 Nuts & 8 S/P Washers
C	2	Side Arms	G	2	M12 x 25 Bolts & S/P Washers
D	2	M10 Clamp Plates	H	2	M12 x 22 Bolts & S/P Washers
			J	6	10 x 30 Flat Washers
			K	4	12 x 25 Flat Washers

- SEAT IBIZA, SEAT IBIZA ST & SKODA FABIA HATCH & ESTATE:** Remove the rear light clusters.
- Remove the rear bumper.
- Remove the rear crash beam (This is not refitted with Towbar assembly).
- Locate Towbar mounting points on the outside face of each chassis member, these are usually covered in tape.
- Insert items **C** into each chassis member, choose correct hole location for vehicle, line up with Towbar mounting points in chassis members then loosely fix in place using item **F** and item **J** (**USING ITEM D ON FORWARD MOST MOUNTING POINT IF NEEDED**).
- Using item **F** and item **J** bolt item **A** between items **C**.
- Using item **G** with item **K** and item **H** with item **K** bolt item **B** and item **E** to item **A**.
- Cut the bumper to the correct sketch for your vehicle and refit.



Note:

- Recommended Torque Setting for M12 Grade 10.9 -139 Nm. (For other Torque Settings see notes overleaf.)
- Nose load limits and vehicle manufacturer's trailer / caravan weight limits must be observed.