

## TVOLV12 VOLVO XC40 2018>

Item	Qty	Description	Item	Qty	Description
A	1	TVOLV12 Crossmember	D	2	M16 x 50 Bolts & Nyloc Nuts
B	2	Handed Side Arms	E	6	M12 x 40 Bolts, 4 Nyloc Nuts & 2 S/P Washers
C	1	Extension	F	2	M12 x 45 Bolts & S/P Washers
			G	2	M12 x 40 Bolts & Nyloc Nuts
			H	1	M12 x 120 Bolt & Nyloc Nut
			J	4	12 x 30 Flat Washers
			K	12	12 x 25 Flat Washers
			L	1	30mm O/D x 60mm Long Spacer Tube

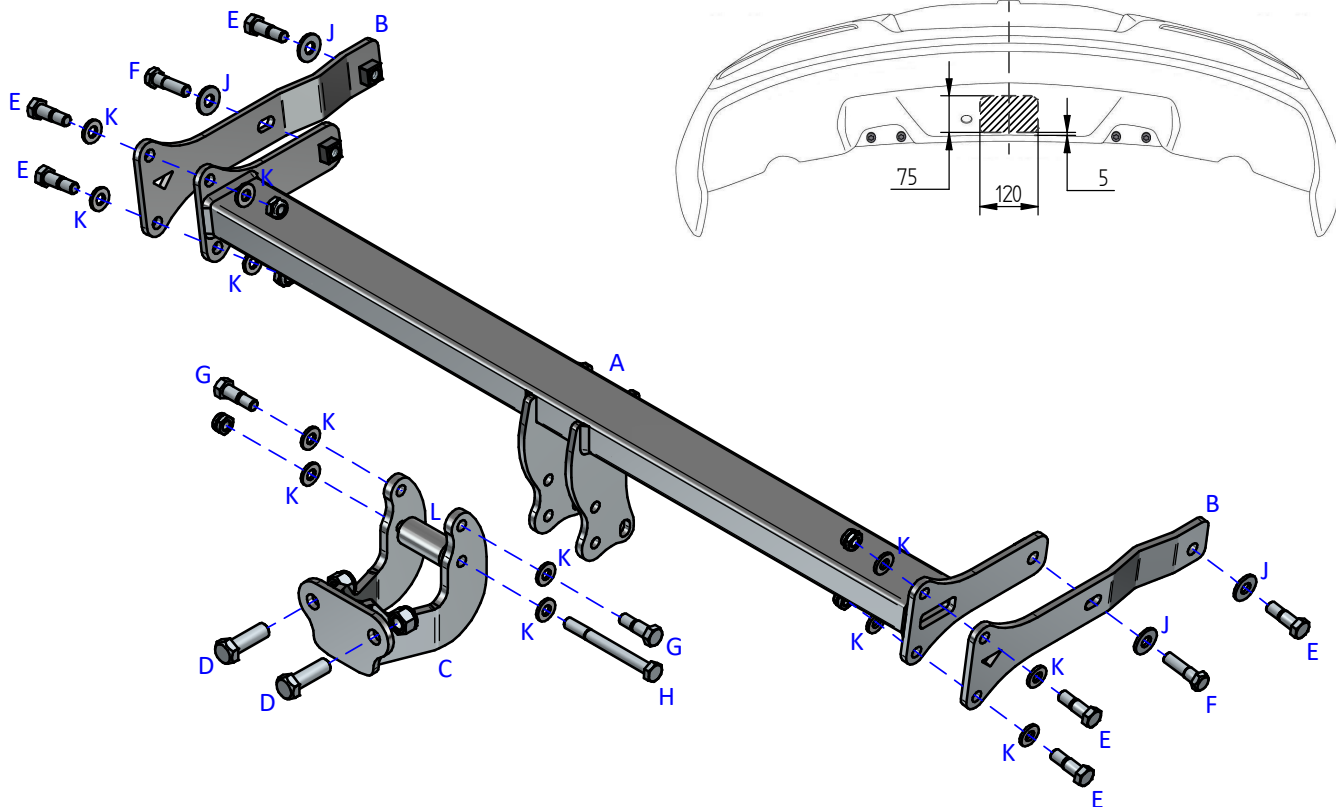
### BUMPER REMOVAL:

1. Open the rear tail gate and remove the bump stops found either side of the boot opening, remove by twisting 45 degrees and pull.
2. Remove four fixings from the bumper lower edge, five fixings from each wheel arch and release the bumper tips from the vehicle body then pull bumper rearward disconnecting any necessary wiring looms.
3. Remove rear impact beam (This is not refitted with the Towbar assembly).
4. Cut the rear bumper as per the sketch below.

### TOWBAR INSTALLATION:

1. Insert Items B into each correct chassis member and fix in place at the forward most vehicle mounting point only using Item E and Item J.
2. Insert Item A into the open ends of each chassis and fix between each side arm using Items E with Item K.
3. Using Item F with Item J fix Item A and Items B through the rearmost vehicle mounting point.
4. Fully tighten all fixings ensuring the Towbar is rigid, square and secure.
5. Refit the rear bumper.
6. Fix Item C to Item A using Items G with Items K and Item H with Items K ensuring Item L is fitted between the lower mounting point.
7. Using Item D fix your desired ball bracket and wiring plate (not supplied in this kit) to Item C.
8. Fully tighten all remaining fixings.

Bumper Cut Details Below



### Notes:

1. For Torque settings see general notes overleaf.
2. Nose load limits and vehicle manufacturer's trailer / caravan weight limits must be observed.