



TVW21VK Skoda Fabia 2021>, Seat Ibiza 2017>, Volkswagen Polo 2017>

Item	Qty	Description	Item	Qty	Description
A	1	TVW21 Crossbar	F	2	M12 x 22 Bolts & S/P Washers
B1	1	Left Hand Side Arm	G	2	M12 x 25 Bolts & S/P Washers
B2	1	Right Hand Side Arm	H	4	M6 x 20 Self Tapping Bolts
			J	4	M12 x 35 Bolts & S/P Washers
D	1	6206 Detachable Neck	K	4	M12 x 45 Bolts & Nyloc Nuts
E	1	TTFP/RH Flip Up Socket Plate	L	4	6 X 15 Flat Washers
			M	12	12 x 25 Flat Washers
X		OEM GSM Ariel	N	4	12 x 30 Flat Washers

Bumper Removal:

1. Open tailgate and remove light clusters, one fixing behind boot trim panel each side.
2. Remove the three fixings from the wheel arch liner and mudguards if fitted and the tip screw from each side.
3. Remove the nine fixings from the lower bumper edge.
4. Pull bumper out sideways and release clips from under the light clusters pull rearwards, unplug the reversing sensors and number plate lights, and fully remove.
5. Remove item **X**, one fixing from off the rear crash beam if fitted, then remove the crash beam, seven fixings.
Note: (This will not be refitted with the towbar assembly). Refit the fixings into the rear panel to prevent water ingress.
6. Separate the charcoal cannister from the offside chassis to gain access to the mounting point, two fixings.

Towbar Installation:

1. Loosely fix items **B1** and **B2** to the correct chassis rail using items **J** with items **N**.
2. Loosely fix item **A** to items **B1** and **B2** using items **K** with items **M**.
3. Loosely fix item **D** and item **E** to item **A** on the correct setting using items **F** with items **M** and Items **G** with items **M**. (Figure 1).
4. Fully tighten all the fixings ensuring the Towbar is rigid, square, and secure.
5. If applicable remount item **X** to item **A** using items **H** and items **L**.
6. Remount the charcoal canister and rear bumper. Note: (Some models may require pre-marked cut to be removed from bumper).

Figure 1



Purple:- Skoda Fabia 2021>

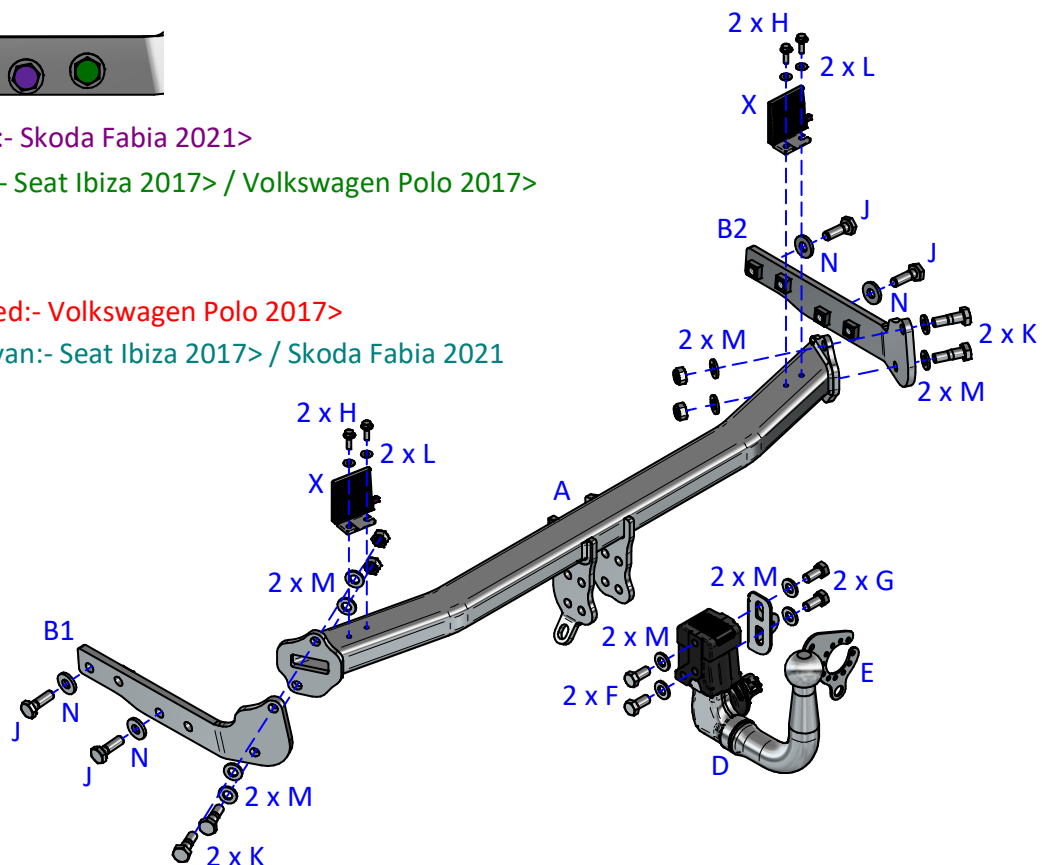
Green:- Seat Ibiza 2017> / Volkswagen Polo 2017>

Figure 2



Red:- Volkswagen Polo 2017>

Cyan:- Seat Ibiza 2017> / Skoda Fabia 2021



Notes:

1. For Torque settings see general notes overleaf.
2. Nose load limits and vehicle manufacturer's trailer / caravan weight limits must be observed.
3. We recommend the use of PRO-TOW Couplings with all our products.