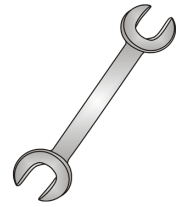




Tow-Trust Towbars

Important: Please read General Notes overleaf before fitting



Issue 5

TVW4 VOLKSWAGEN SHARAN 2010> SEAT ALHAMBRA 2010>

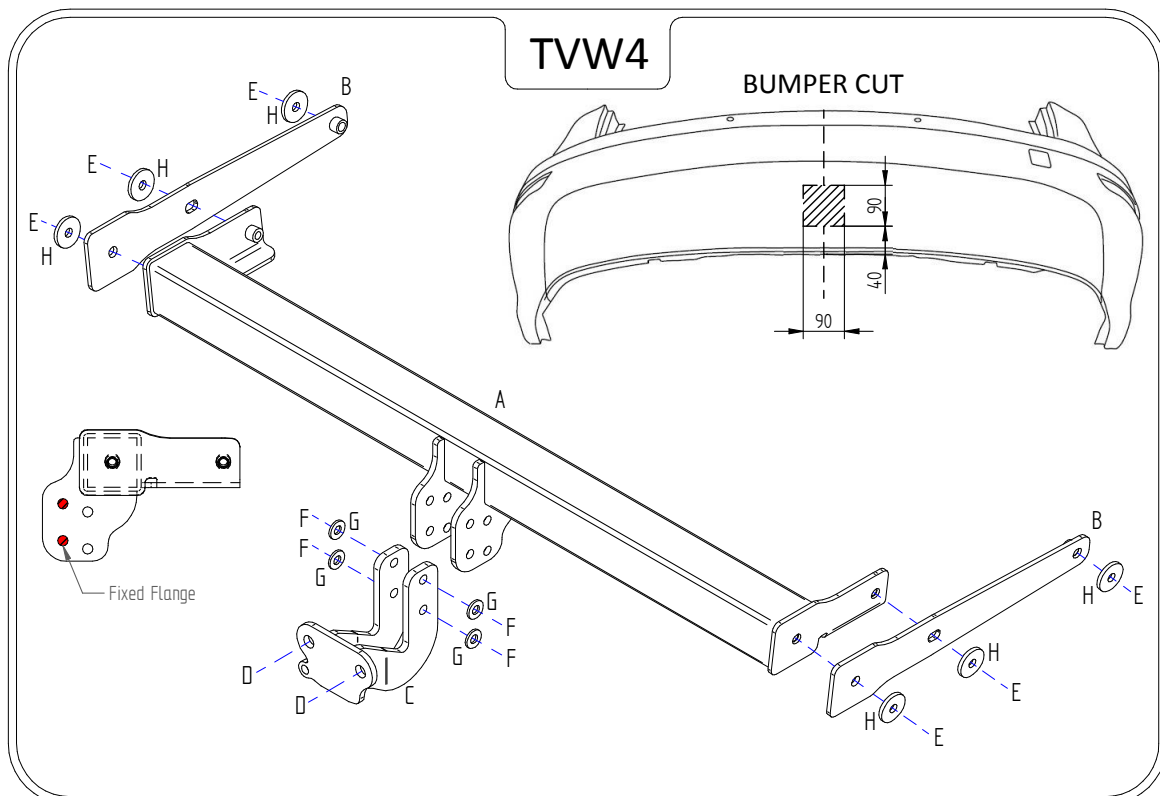
Item	Qty	Description	Item	Qty	Description
A	1	Crossmember	D	2	M16 x 50 Bolts Nuts & S/P Washers
B	2	Side Arms	E	6	M12 x 40 Bolts & S/P Washers
C	1	Extension Bar	F	4	M12 x 40 Bolts & Nyloc Nuts
			G	4	12 x 25 Flat Washers
			H	6	12 x 40 Flat Washers

BUMPER REMOVAL:

1. Remove rear light clusters, one fixing inside boot behind each cluster, this will reveal two fixings under each cluster, locate and remove. Remove four fixings around each wheel arch and one fixing on lower edge by lower wheel arch. Disconnect wiring loom if fitted.

TOWBAR INSTALLATION:

1. Remove the rear bumper impact beam (this is not refitted with Towbar assembly) and refit the fixings into rear panel to prevent water ingress.
2. Remove the two fixings securing the add blue container and lower 20mm to reveal N/S mounting points. (Support to prevent damage).
3. Insert Items **B** into each chassis member and using Item **E** with Item **H** loosely bolt in place at forward mounting points only.
4. Insert Item **A** between each side arm (Item **B**) and into each chassis member and bolt in place with the remaining Items **E** and Items **H**.
5. At this stage fully tighten all nuts and bolts ensuring Towbar is rigid, square and secure.
6. Refit add blue container, cut rear bumper to dimensions illustrated and refit.
7. Using Item **F** with Item **G** bolt Item **C** to Item **A**.
8. Using Item **D** bolt your desired ball bracket and wiring plate (not supplied in this kit) to Item **C** and fully tighten.



Note:

1. Recommended Torque Setting for M12 Grade 10.9 -139 Nm. (For other Torque Settings see notes overleaf.)
2. Nose load limits and vehicle manufacturers trailer / caravan weight limits must be observed.