



Tow-Trust Towbars

Important: Please read General Notes overleaf before fitting

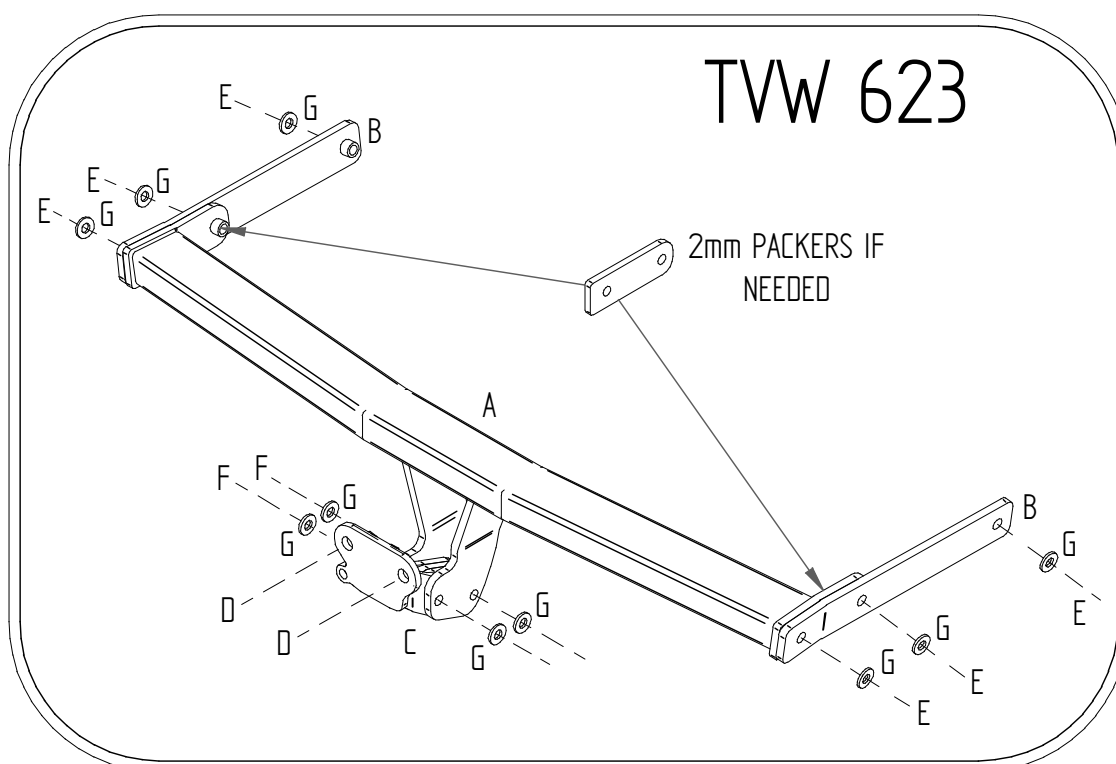


Issue 13

**TVW 623 Volkswagen Golf 5 Hatch 2004> Golf 6 Hatch 2009>
Volkswagen Golf Plus 2005> Golf 7 Hatch 2012> Audi A3 2012> Golf SV 2014>
Seat Leon 2013>**

Item	Qty	Description	Item	Qty	Description
A	1	Crossmember	D	2	M16 x 50 Bolts, Nuts & S/P Washers
B	2	Side Arms	E	6	M12 x 50 Bolts & S/P Washers
C	1	Extension	F	2	M12 x 85 Bolts Grade 10.9 & Nyloc Nuts
			G	10	12 x 25 Flat Washers
			H	4	2mm End Plate Lasers

1. Remove the rear light clusters.
2. Remove rear bumper. Fixings along the lower edge, under each light cluster and around each wheel arch.
3. Remove the bumper crossbeam (this is not refitted). Replace existing bolts.
4. Locate Item **B** inside each chassis and using Item **E** with Item **G** loosely bolt to forward existing holes (these are covered with tape).
5. Using Item **E** with Item **G** loosely bolt Item **A** to Item **B** and through existing rearmost holes. Fully tighten all bolts.
6. **Golf 5:** Cut out a section 65mm x 125mm centrally from the lower edge of the bumper.
7. **Golf 6:** Cut out a section 65mm x 80mm centrally from the lower edge of the bumper.
8. **Golf 7 / Audi A3:** Cut out a section 65mm x 120mm centrally from the lower edge of the bumper.
9. **Golf 7.5:** No cut required.
10. **Leon:** Cut out a section 65mm x 95mm centrally from the lower edge of the bumper.
11. Refit bumper and light clusters.
12. Using Item **F** with Item **G** bolt Item **C** to Item **A**.
13. Using Item **D** bolt the ball bracket (not supplied in this kit) to the mounting plate.



Notes:

1. Recommended Torque Setting for M12 Grade 10.9 -139 Nm. (For other Torque Settings see notes overleaf.)
2. Nose load limits and vehicle manufacturer's trailer / caravan weight limits must be observed.